

1

### DESCRIPTION

Cylinders series "P" are produced with a round profile design from Ø 32 to Ø 63. They are available in the basic version, with rear axial feed, with adjustable cushions and fitted for the use with magnetic sensors.

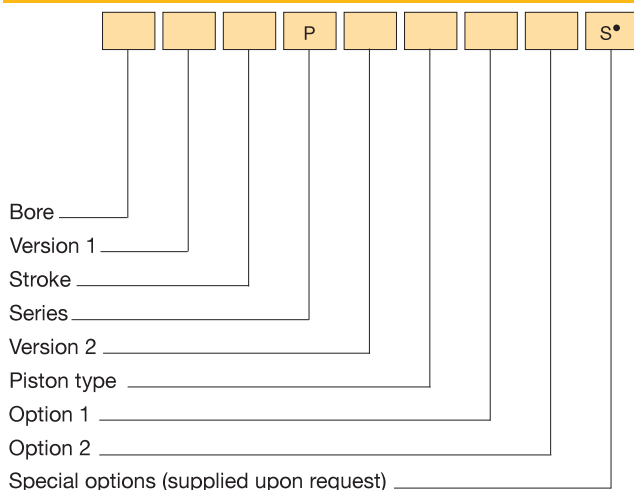
### TECHNICAL DATA

|                              |   |
|------------------------------|---|
| Operating pressure           | 1 ± 10 bar  |
| Working temperature          | 0 ÷ +80 °C (-20 °C with dry air)<br>0 ÷ +150 °C with seals for high temperature<br>(-10 °C with dry air)  |
| Fluid                        | Filtered, unlubricated or continuous lubricated compressed air  |
| Versions                     | Double acting; Single acting front spring;<br>Single acting rear spring; Through rod;<br>Flat rear cap (rear axial feed); Reduced flat rear cap |
| Bore                         | Ø 32, 40, 50, 63  |
| Port size                    | Ø 32 = G 1/8<br>Ø 40 - 50 = G 1/4<br>Ø 63 = G 3/8   |
| Standard strokes (mm)        | 10, 25, 50, 75, 80, 100, 125, 150, 160, 175, 200, 250, 300,<br>320, 350, 400, 450, 500  |
| Decelerators length          | Ø 32 40 50 63<br>mm 29 35 40 40   |
| Max strokes (mm)             | Ø 32 ÷ 63 = 1000  |
| Max strokes single act. (mm) | Ø 32 ÷ 63 = 50  |

### MATERIALS

|                              |   |
|------------------------------|---|
| End caps                     | Anodized aluminium alloy  |
| Cylinder barrel              | Extruded tube, AISI 304 stainless steel   |
| Barrel-end cover fixing type | Irreversible calking with dual-seal system, mechanical and pneumatic                |
| Piston rod                   | C45 chromium-plated steel<br>AISI 303 rolled stainless steel                        |
| Rod nut and ring nut         | Steel<br>Stainless steel (supplied upon request for the ring nut)                   |
| Decelerator ogives           | Anodized aluminium alloy  |
| Piston rod bearing           | Self lubricating sintered bronze  |
| Piston                       | Aluminium alloy with acetal resin piston bearing (supplied with and without magnet) |
| Piston seals                 | Polyurethane - Viton®   |
| Springs                      | Spring steel  |

### ORDER KEY



N.B.: *Magnetic sensors* FM 100 - FM157 (see chapter magnetic sensors from page 1.93)  
• See technical data on page 0.12

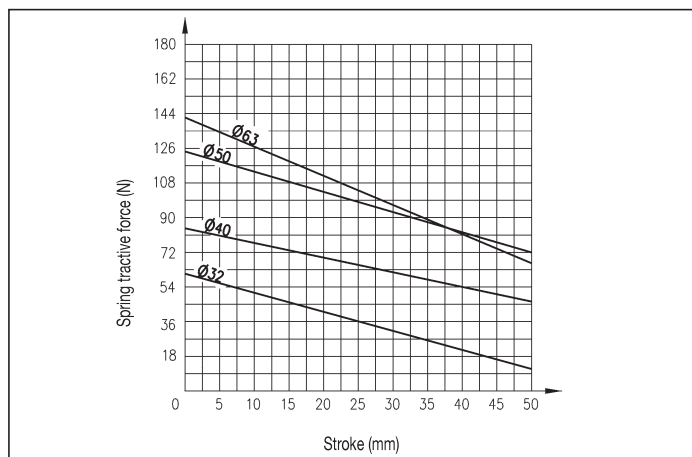
### ORDER EXAMPLES

Basic cylinder Ø32, 50 mm stroke, double acting, non magnetic piston type 32/50 PDC

Basic cylinder Ø40, 50 mm stroke, double acting, magnetic piston type, cushioned 40/50 PDEX



### SPRING THEORETICAL TRACTIVE FORCE



### VERSION 1

/ Basic cylinder **R** Through rod  
**H** Flat rear cap (rear axial feed) **C** Reduced flat rear cap\*

### VERSION 2

**D** Double acting **Y** Single acting rear spring\*\*  
**S** Single acting front spring

### PISTON TYPE

**C** Non-magnetic **E** Magnetic

### OPTION 1

**X** Cushioned

### OPTION 2

**1** Stainless steel piston rod and rod nut **3** Stainless steel piston rod and rod nut, and seals for high temperature\*\*\*  
**2** Seals for high temperature\*\*\*

\* Not available in the option "X"

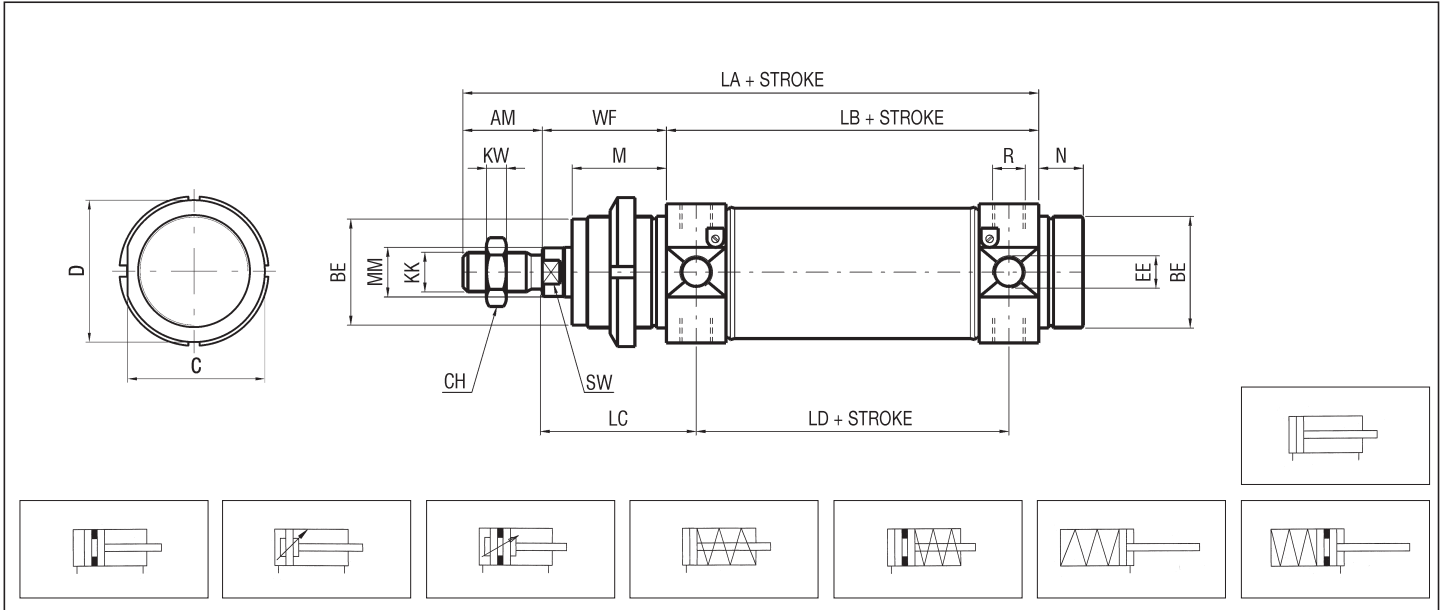
\*\* Different dimensions from the versions "D" and "S"; contact the commercial office

\*\*\* Supplied only with non-magnetic piston type

Cylinder Ø50, through rod, 100 mm stroke, double acting, magnetic piston type, cushioned 50R100 PDEX

Basic cylinder Ø50, 40 mm stroke, single acting rear spring, non magnetic piston type, seals for high temperature 50/40 PYC2

## P BASIC CYLINDER

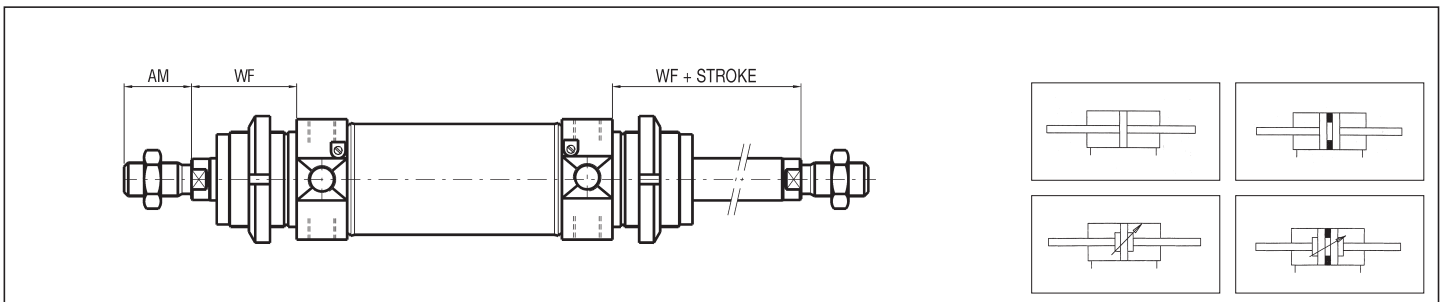


P.S.: End cap ring nut and rod nut supplied as standard

## DIMENSIONS AND WEIGHTS BASIC CYLINDER

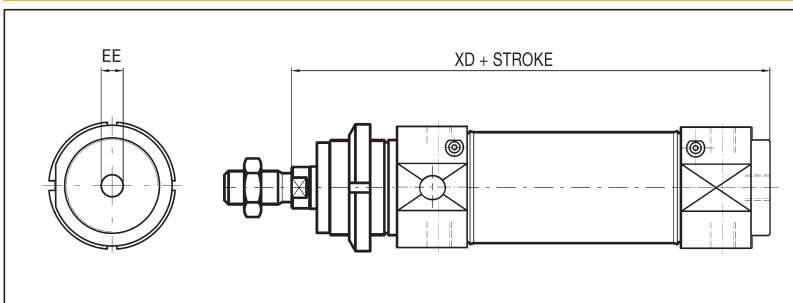
| Ø  | AM | BE      | C    | CH | D  | EE   | KK       | KW | LA  | LB  | LC | LD | M  | MM | N  | R       | SW | WF | XC  | XD  | WEIGHT (g) | INCR. (g) x 10 mm |
|----|----|---------|------|----|----|------|----------|----|-----|-----|----|----|----|----|----|---------|----|----|-----|-----|------------|-------------------|
| 32 | 20 | M30x1,5 | 36,5 | 17 | 38 | G1/8 | M10x1,25 | 6  | 154 | 96  | 47 | 78 | 30 | 12 | 14 | M8x1    | 10 | 38 | 134 | 140 | 386        | 16                |
| 40 | 24 | M38x1,5 | 44   | 19 | 46 | G1/4 | M12x1,25 | 7  | 182 | 113 | 57 | 89 | 35 | 16 | 16 | M10x1   | 12 | 45 | 158 | 163 | 690        | 26                |
| 50 | 32 | M45x1,5 | 55   | 24 | 57 | G1/4 | M16x1,5  | 8  | 202 | 120 | 62 | 96 | 38 | 20 | 18 | M12x1,5 | 16 | 50 | 170 | 176 | 1265       | 34                |
| 63 | 32 | M45x1,5 | 67,5 | 24 | 70 | G3/8 | M16x1,5  | 8  | 206 | 124 | 63 | 98 | 38 | 20 | 18 | M14x1,5 | 24 | 50 | 174 | 180 | 1750       | 50                |

## THROUGH ROD



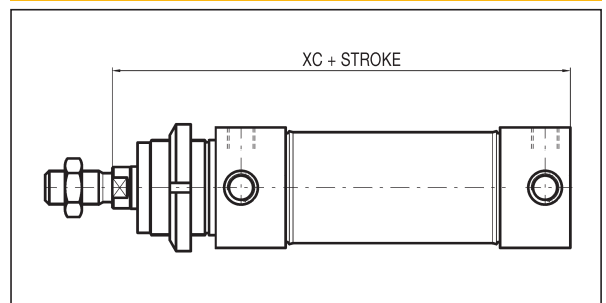
P.S.: End cap ring nuts and rod nuts supplied as standard

## FLAT END CAP (REAR AXIAL FEED)



P.S.: End cap ring nut and rod nut supplied as standard

## REDUCED FLAT REAR CAP



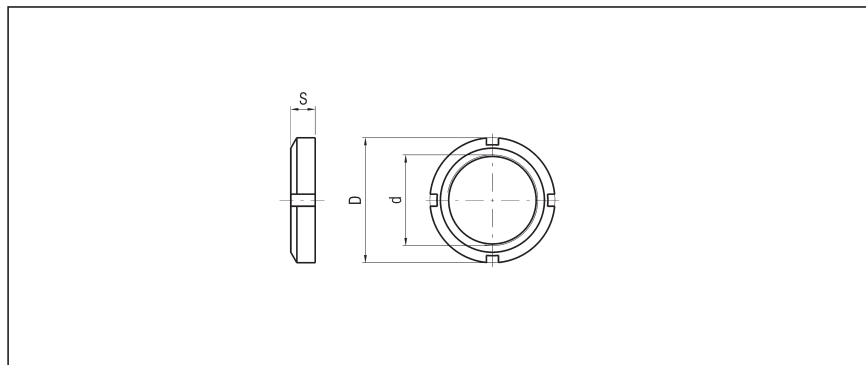
P.S.: End cap ring nut and rod nut supplied as standard

1

### RING NUT - STEEL - PG Ø

| Ø     | d       | D  | S  | WEIGHT (g) |
|-------|---------|----|----|------------|
| 32    | M30x1,5 | 42 | 8  | 43         |
| 40    | M38x1,5 | 50 | 10 | 80         |
| 50-63 | M45x1,5 | 60 | 10 | 122        |

AISI 304 STAINLESS STEEL SUPPLIED UPON REQUEST  
(SEE PAGE 1.19)

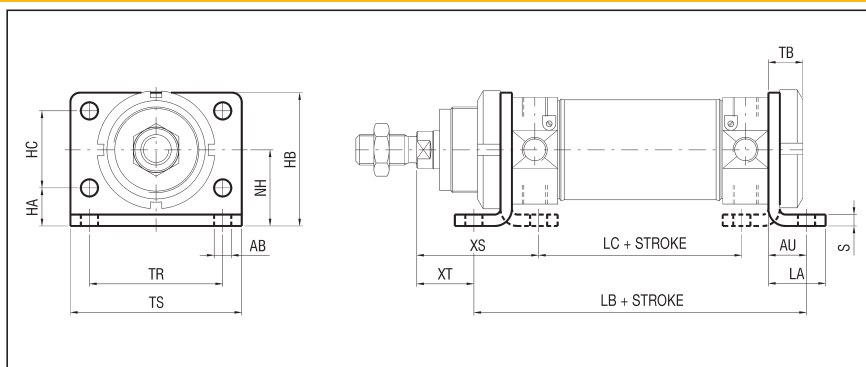


### FLANGE/FOOT - STEEL - PFP Ø

| Ø  | AB | AU | HA | HB | HC | LA | LB  | LC |
|----|----|----|----|----|----|----|-----|----|
| 32 | 7  | 14 | 14 | 49 | 28 | 21 | 124 | 76 |
| 40 | 9  | 20 | 18 | 58 | 30 | 30 | 153 | 83 |
| 50 | 9  | 20 | 20 | 70 | 40 | 30 | 160 | 92 |
| 63 | 9  | 20 | 20 | 80 | 50 | 30 | 164 | 96 |

| Ø  | NH | S | TB | TR | TS | XS | XT | WEIGHT (g) |
|----|----|---|----|----|----|----|----|------------|
| 32 | 28 | 4 | 14 | 52 | 66 | 48 | 24 | 98         |
| 40 | 33 | 5 | 20 | 60 | 88 | 60 | 25 | 183        |
| 50 | 40 | 6 | 20 | 70 | 90 | 64 | 30 | 276        |
| 63 | 45 | 6 | 20 | 76 | 96 | 64 | 30 | 395        |

AISI 304 STAINLESS STEEL SUPPLIED UPON REQUEST  
(SEE PAGE 1.19)

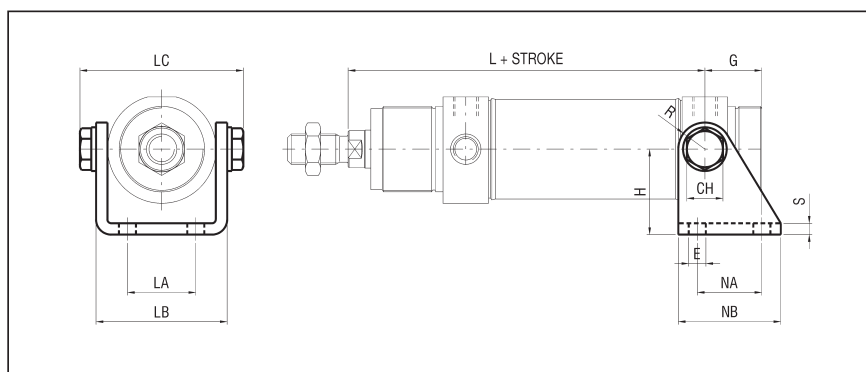


### REAR HINGE - STEEL - PSC Ø

| Ø  | CH | E   | G  | H  | L   | LA | LB   |
|----|----|-----|----|----|-----|----|------|
| 32 | 13 | 7   | 20 | 34 | 125 | 20 | 46,1 |
| 40 | 17 | 9,5 | 27 | 38 | 146 | 28 | 56,1 |
| 50 | 19 | 10  | 30 | 44 | 158 | 36 | 69,1 |
| 63 | 19 | 10  | 34 | 50 | 161 | 42 | 82,1 |

| Ø  | LC  | NA | NB | R   | S | WEIGHT (g) |
|----|-----|----|----|-----|---|------------|
| 32 | 58  | 24 | 40 | 8   | 4 | 150        |
| 40 | 70  | 30 | 50 | 9,5 | 5 | 259        |
| 50 | 86  | 34 | 54 | 10  | 6 | 403        |
| 63 | 100 | 35 | 65 | 10  | 6 | 520        |

AISI 304 STAINLESS STEEL SUPPLIED UPON REQUEST  
(SEE PAGE 1.19)



### PIVOT (pair) - STEEL - PT Ø

| Ø  | D  | H  | LA | LB  | CH | WEIGHT (g) |
|----|----|----|----|-----|----|------------|
| 32 | 10 | 51 | 47 | 125 | 6  | 10         |
| 40 | 12 | 64 | 57 | 146 | 6  | 20         |
| 50 | 14 | 75 | 62 | 158 | 6  | 40         |
| 63 | 16 | 90 | 63 | 161 | 8  | 65         |

AISI 304 STAINLESS STEEL SUPPLIED UPON REQUEST  
(SEE PAGE 1.19)

