

MAGNETIC SENSORS SERIES FM101

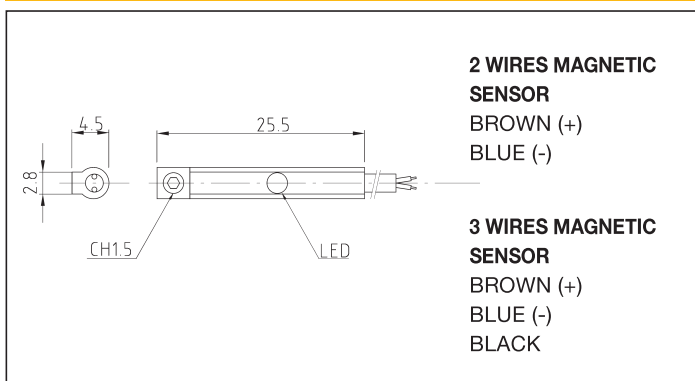
TECHNICAL DATA

TYPE	FM101 - FM101/C	FM101E - FM101E/C
Working temperature	-10 ÷ +70 °C	
Protection class	IP 67	
Model	REED SWITCH	HALL EFFECT
Contacts	N.O.	PNP
Voltage AC/DC	5 ÷ 220 V	5 ÷ 30 V DC
Max voltage drop	3 V	0.5 V
Max exchange current	100 mA	200 mA
Max power	6 W	
Operating frequency	200 Hz	1000 Hz

MATERIALS

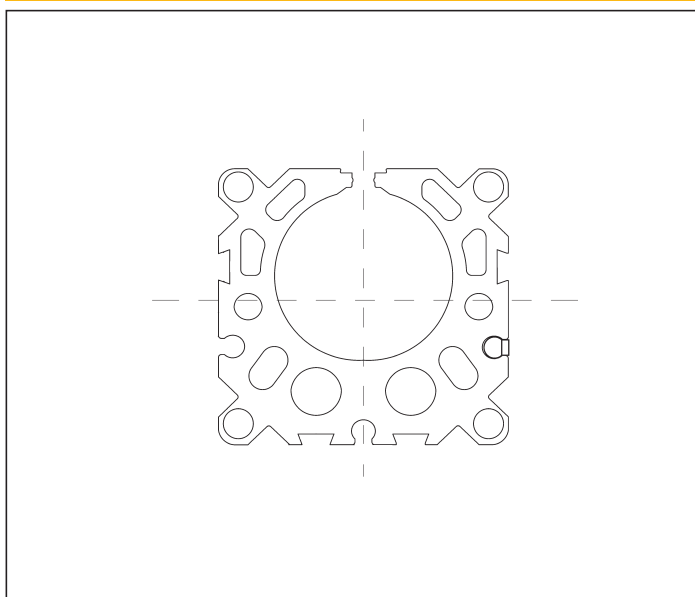
Body	Polyamide
Cable	Polyurethane
Connector	Polypropylene
Contacts	Gold-plated brass
Contact carrier	Nickel-plated brass
Ring nut	Brass

FM101 - FM101E

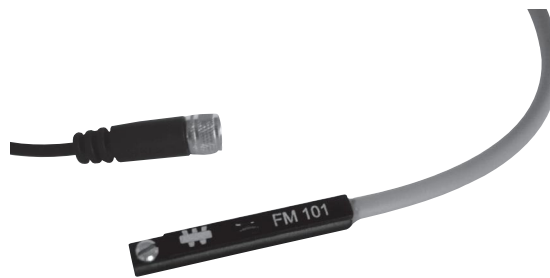


DESCRIPTION	WEIGHT (g)	TYPE
N.O. reed switch with LED and 2 wires cable 3 m length	28	FM101
Hall effect switch version PNP with LED and 3 wires cable 3 m length	28	FM101E

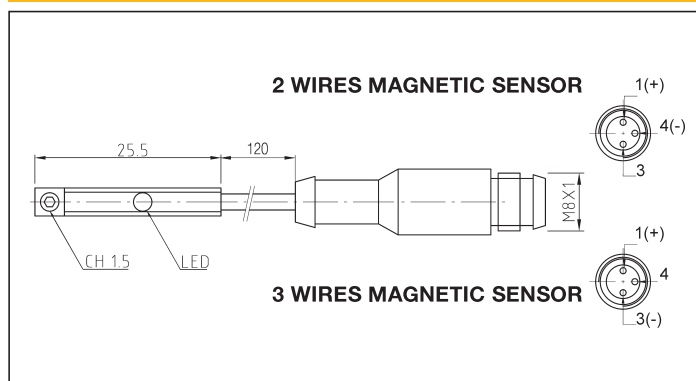
EXAMPLE OF SENSOR MOUNTING ON CYLINDERS SERIES "Z"



P.S.: For bore Ø 18, mount the sensors series "FM100" (page 1.93) with sensor fixing bracket "SQZ" (page 1.95)

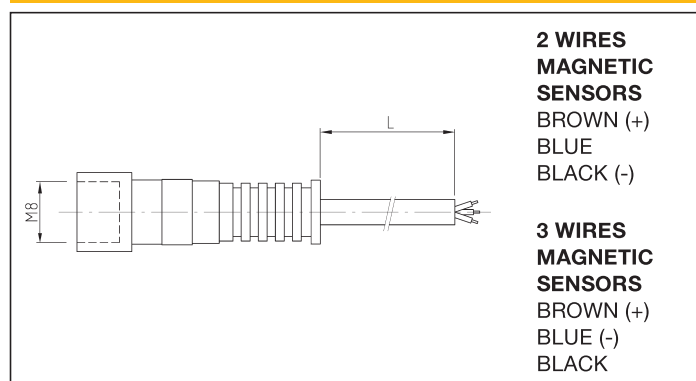


FM101/C - FM101E/C



DESCRIPTION	WEIGHT (g)	TYPE
N.O. reed switch with LED and 2 wires ring nut connector M8	40	FM101/C
Hall effect switch version PNP with LED and 3 wires ring nut connector M8	40	FM101E/C

EXTENSION WITH FEMALE CONNECTOR M8



DESCRIPTION	WEIGHT (g)	L (m)	TYPE
Extension 3 m length with female connector M8	40	3	CNT3
Extension 5 m length with female connector M8	60	5	CNT5

ELECTRIC CIRCUITS REED SWITCH - HALL EFFECT SWITCH

