

MAGNETIC SENSORS SERIES FM157

TECHNICAL DATA

TYPE	FM157 - FM157/C	FM157E/C
Working temperature	-20 ÷ +80 °C	
Protection class	IP65	
Model	REED SWITCH	HALL EFFECT
Contacts	N.O.	
Voltage AC/DC	3 ÷ 230 V	6 ÷ 30 V
Max voltage drop	3 V	0,7 V
Max exchange current	500 mA	250 mA
Max power	10 VA	6 W
Operating frequency	200 Hz	1000 Hz

MATERIALS

Body	Polyamide
Cable	Polyvinyl chloride
Connector	Polyvinyl chloride
Contact carrier	Polyamide

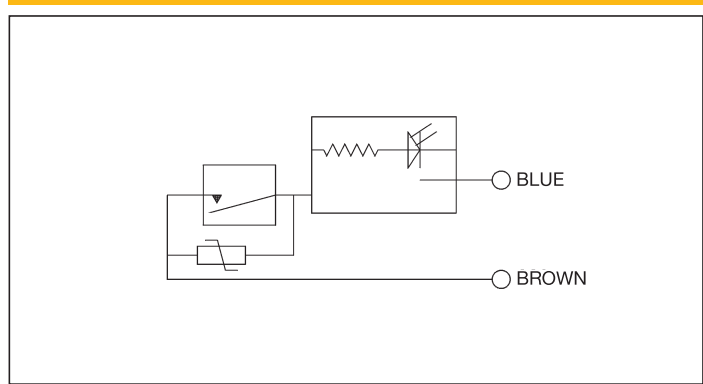
FM157 - FM157E

2 WIRES MAGNETIC SENSOR
BROWN (+)
BLUE (-)

3 WIRES MAGNETIC SENSOR
BROWN (+)
BLUE (-)
BLACK

DESCRIPTION	WEIGHT (g)	TYPE
Reed switch with LED and 2 wires cable 2,5 m length	55	FM157
Hall effect switch version PNP with LED and 3 wires cable 2,5 m length	58	FM157E

ELECTRIC CIRCUIT REED SWITCH



FM157/C - FM157E/C

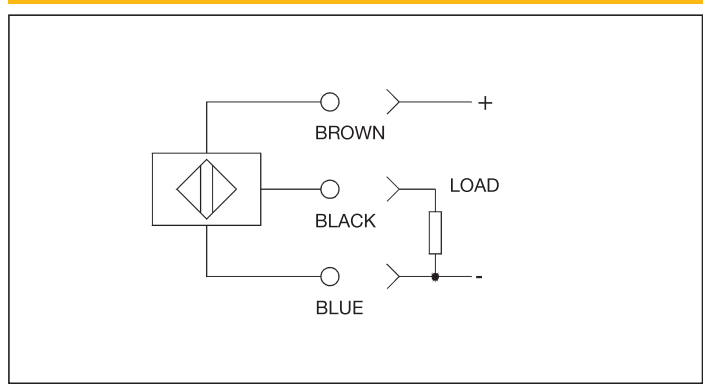
2 WIRES MAGNETIC SENSORS
BROWN (+)
BLUE (-)
BLACK (-)

3 WIRES MAGNETIC SENSORS
BROWN (+)
BLUE (-)
BLACK

* DIMENSION OF THE COUPLED PARTS

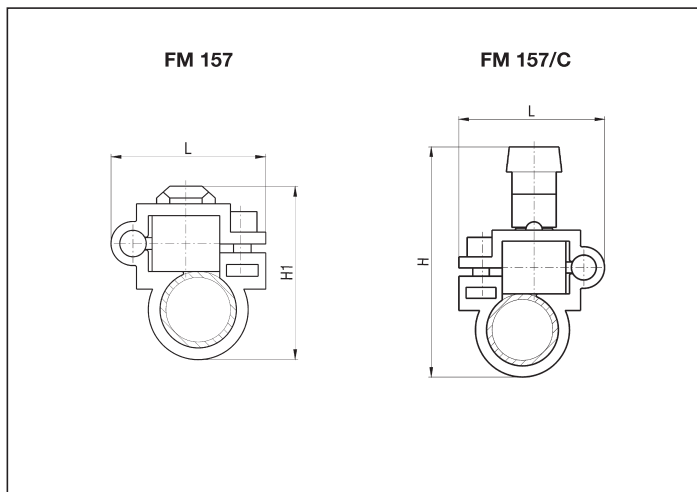
DESCRIPTION	WEIGHT (g)	TYPE
Reed switch with LED, connector M8 and 2 wires cable 2,5 m length	58	FM157/C
Hall effect switch version PNP with LED, connector M8 and 3 wires cable 2,5 m length	61	FM157E/C

ELECTRIC CIRCUIT HALL EFFECT SWITCH



1

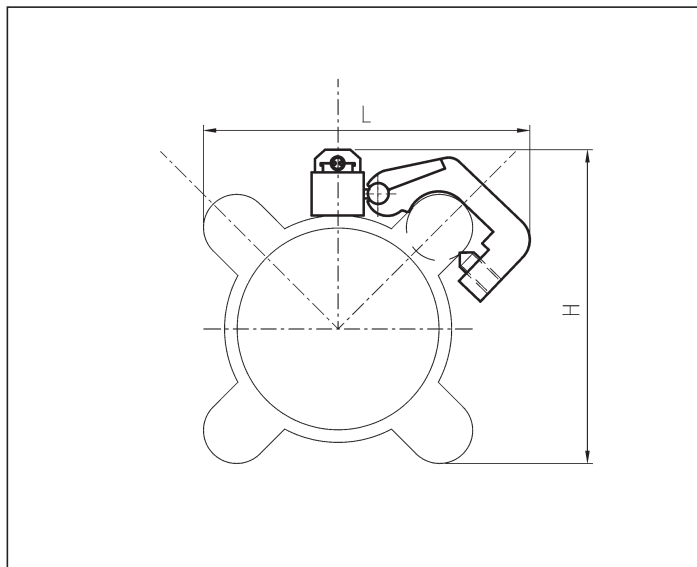
SENSOR FIXING BRACKETS - PLASTIC - FG



MAXIMUM DIMENSIONS WITH CYLINDERS

H1	H	L	SERIES CYLINDER and Ø		TYPE
			U	P	
26	38	23	8	-	FG/050
28	40	28	10	-	FG/051
31	42	27	12	-	FG/052
33	45	28,5	16	-	FG/053
38	52	32	20	-	FG/054
43	58	32	25	-	FG/055
51	65	32	-	32	FG/056
60	73	32	-	40	FG/057
70	83	32,5	-	50	FG/058
84	97	32,5	-	63	FG/059

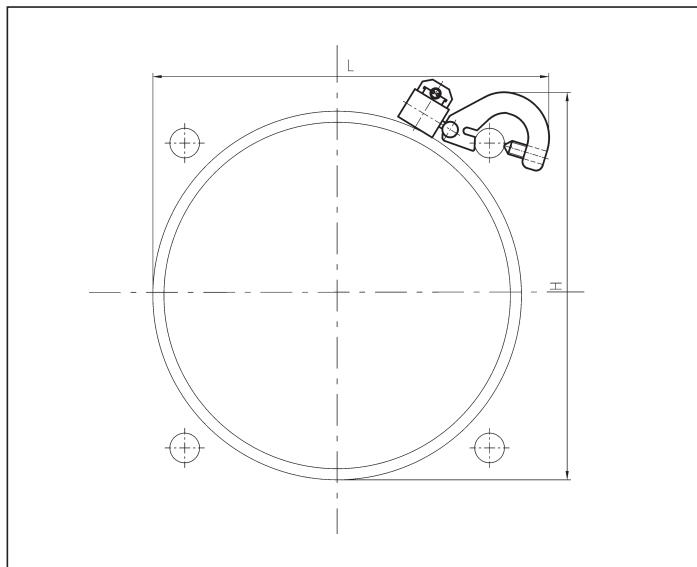
SENSOR FIXING BRACKETS - ALUMINIUM - ST



MAXIMUM DIMENSIONS WITH CYLINDERS SERIES "CPU1"

H	L	Ø CYLINDER	TYPE
55	63	32	ST34
65	60	40	
77	72	50	ST56
87	82	63	
102	101	80	ST80
120	117	100	ST102
147	131	125	

SENSOR FIXING BRACKETS - ALUMINIUM - ST



MAXIMUM DIMENSIONS WITH CYLINDERS

H	L	SERIES CYLINDER and Ø			TYPE
		CPUI	CPU	CX	
33	33	-	32	32	ST3456
37,5	33	-	40	40	
40	35	-	50	50	
49	39	-	63	63	
57	48	-	80	80	SQ32-40/A
61	54	-	100	100	SQ125/A
71	69	125	-	125	
92	90	160	-	160	
120	118	200	-	200	SQ80-100/A