

MAGNETIC SENSORS SERIES FM158

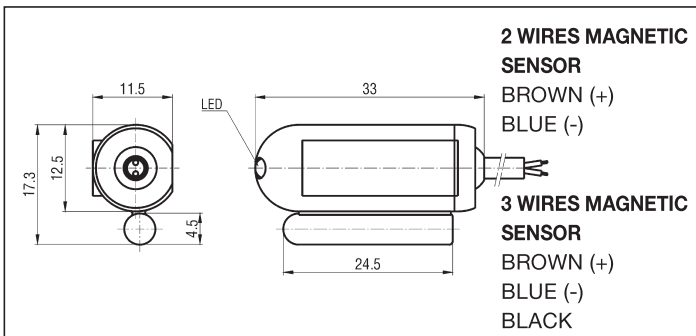
TECHNICAL DATA

TYPE	FM158 - FM158/C	FM158E - FM158E/C
Working temperature	-20 ÷ + 80 °C	
Protection class	IP65	
Model	REED SWITCH	HALL EFFECT
Contacts	N.O.	
Voltage AC/DC	3 ÷ 115 V	6 ÷ 30 V
Max voltage drop	3 V	0,7 V
Max exchange current	500 mA	250 mA
Max power	10 VA	6 W
Operating frequency	200 Hz	1000 Hz

MATERIALS

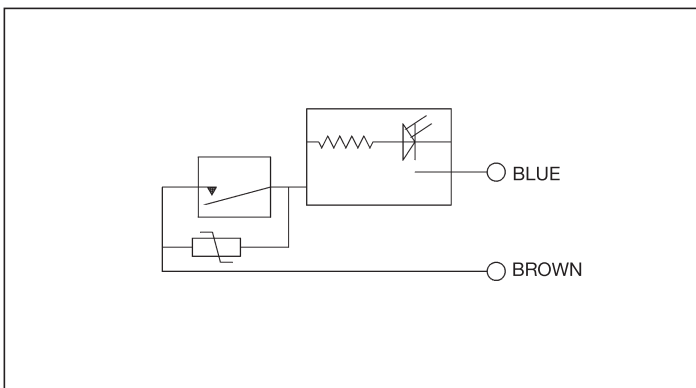
Body	Polyamide
Cable	Polyvinyl chloride
Connector	Polyvinyl chloride
Contact carrier	Polyamide
Ring nut	Brass

FM158 - FM158E



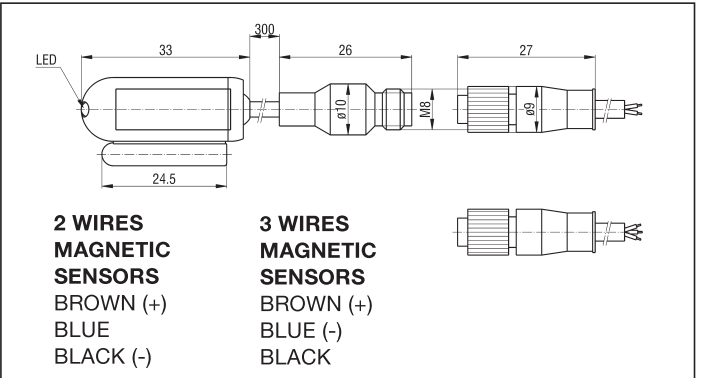
DESCRIPTION	WEIGHT (g)	TYPE
Reed switch with LED and 2 wires cable 2,5 m length	36	FM158
Hall effect switch version PNP with LED and 3 wires cable 2,5 m length	40	FM158E

ELECTRIC CIRCUIT REED SWITCH



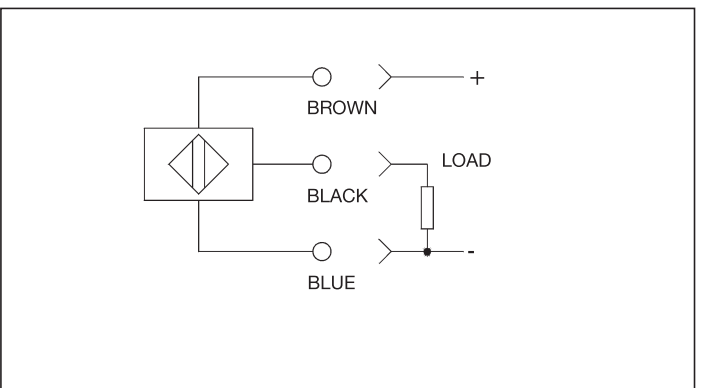
1

FM158/C - FM158E/C



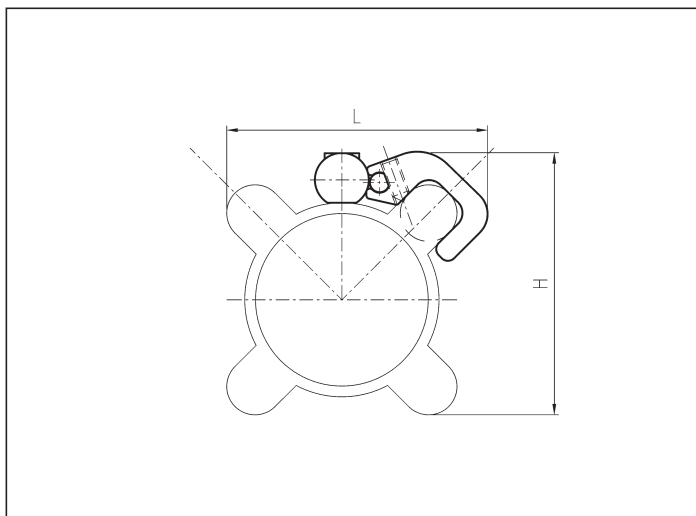
DESCRIPTION	WEIGHT (g)	TYPE
Reed switch with LED, connector M8 and 2 wires cable 2,5 m length	48	FM158/C
Hall effect switch version PNP with LED, connector M8 and 3 wires cable 2,5 m length	51	FM158E/C

ELECTRIC CIRCUIT HALL EFFECT SWITCH

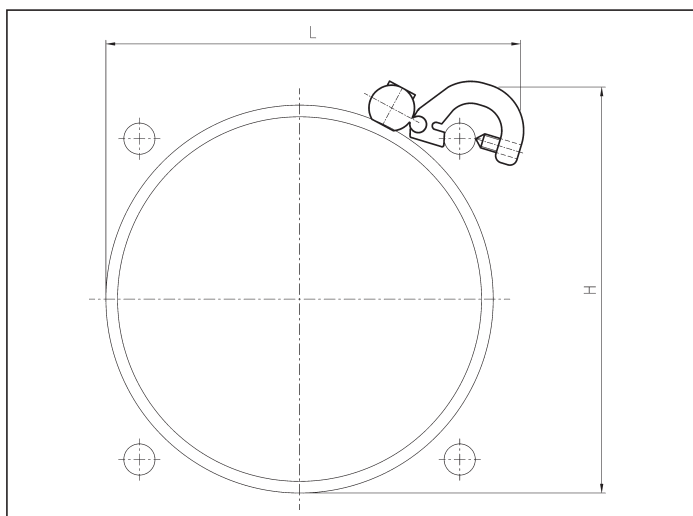


1

SENSOR FIXING BRACKETS - ALUMINIUM - SQ



SENSOR FIXING BRACKETS - ALUMINIUM - ST



MAXIMUM DIMENSIONS WITH CYLINDERS SERIES CPU1

H	L	Ø CYLINDER	TYPE
51,5	50	32	SQ32-40/A
59	56	40	
70	69	50	SQ50-63/A
81,5	80	63	
98,5	96	80	SQ80-100/A
115	113	100	

MAXIMUM DIMENSIONS WITH CYLINDERS

H	L	CYLINDER SERIES and Ø			TYPE
		CPUI	CPU	CX	
33	33	-	32	32	ST3456
37,5	33	-	40	40	
40	35	-	50	50	
49	39	-	63	63	
57	48	-	80	80	SQ32-40/A
61	54	-	100	100	SQ125/A
71	69	125	-	125	
92	90	160	-	160	
120	118	200	-	200	