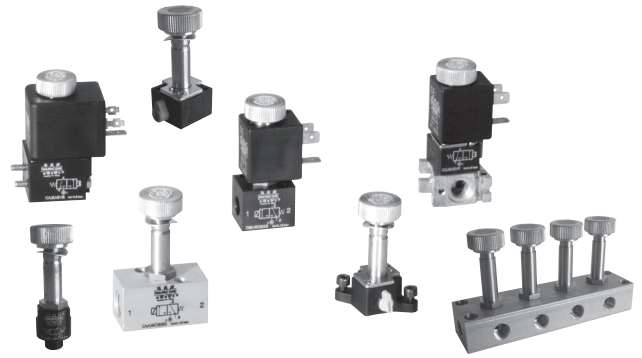


Direct acting solenoid valves with sleeve $\varnothing 9$ mm

series C/

DESCRIPTION

The direct acting solenoid valves series "C/" are produced in conformity with the Directives EC 89/336, EC 92/31, EC 93/68, EC 73/23 in the 3/2 N.O. and 3/2 N.C. pneumatic functions. Using the same mechanic, it is possible to obtain four standard versions: side 22 mm - body ported, side 22 mm - body with interface, side 30 mm - body with ex CNOMO interface and body with interface for mounting on poppet and ex CETOP (with fixed position and rotatable coil) valves. All the solenoid valves with interface can be mounted on single modular bases. The version side 30 mm with ex CNOMO interface, in the 3/2 N.C. pneumatic function, has two different manual overrides as standard: bistable screwdriver and monostable push button.

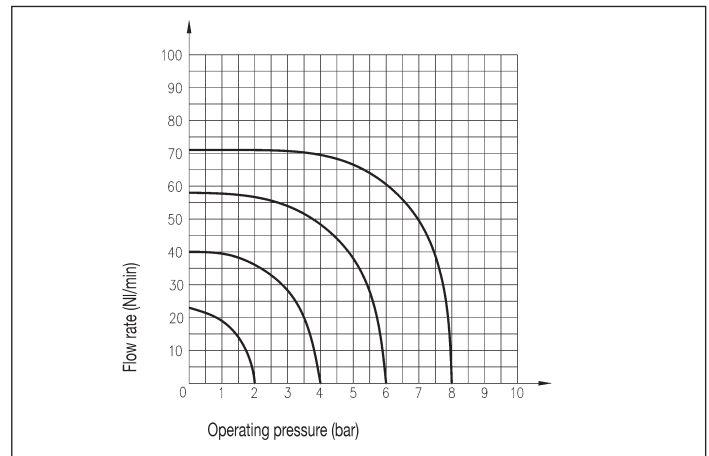


2

TECHNICAL DATA

Operating pressure	0 ÷ 10 bar N.C. 0 ÷ 8 bar N.O.
Working temperature	0 ÷ +50 °C (-20 °C with dry air)
Fluid	Filtered, unlubricated or continuous lubricated compressed air
Sleeve	$\varnothing 9$ mm
Nominal diameter	1,1 mm
Max. operating frequency	≤ 13 Hz
Coils	USB - see chapter Coils on page 2.14 USBG - see chapter Coils on page 2.14
Electric connectors	USR102/N9 - see chapter Connectors on page 2.15 ULR1B - see chapter Connectors on page 2.15

FLOW CHART - C/



MATERIALS

Core	IMRE
Body ported G 1/8 - G 1/4	Aluminium
Body and manual override	Acetal resin
Springs	Stainless steel
Seals	Viton®

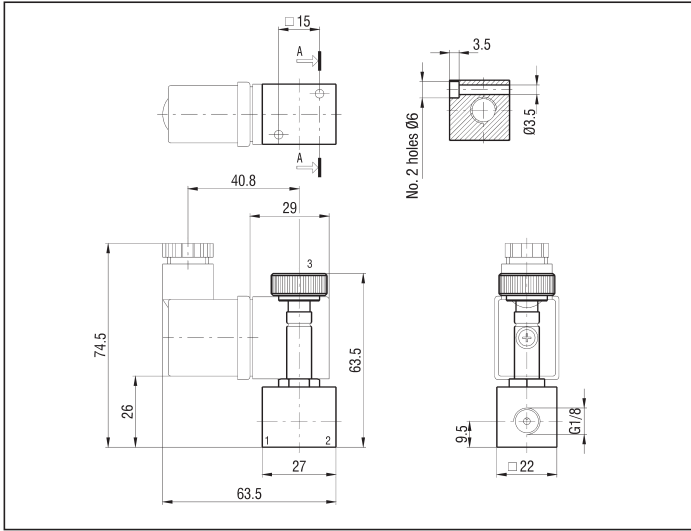
3 PORT G 1/8 - G 1/4 SIDE 22 mm

Symbol	Function	Controls		Response time at 6 bar (ms)		Flow rate at 6 bar $\Delta P = 1$ bar (Nl/min)	Manual override	Size	Weight (g)	TYPE*
		Pilot	Return	Energized	De-energized					
	3/2 N.O.	Solenoid	Mechanical spring	10	20	48	G 1/8	-	46	C8/USASGG
	3/2 N.O.	Solenoid	Mechanical spring	10	20	48	G 1/4	-	46	C4/USASGG
	3/2 N.C.	Solenoid	Mechanical spring	10	20	36	G 1/8	-	65	C8/USCSGG
	3/2 N.C.	Solenoid	Mechanical spring	10	20	36	G 1/4	-	80	C4/USCSGG

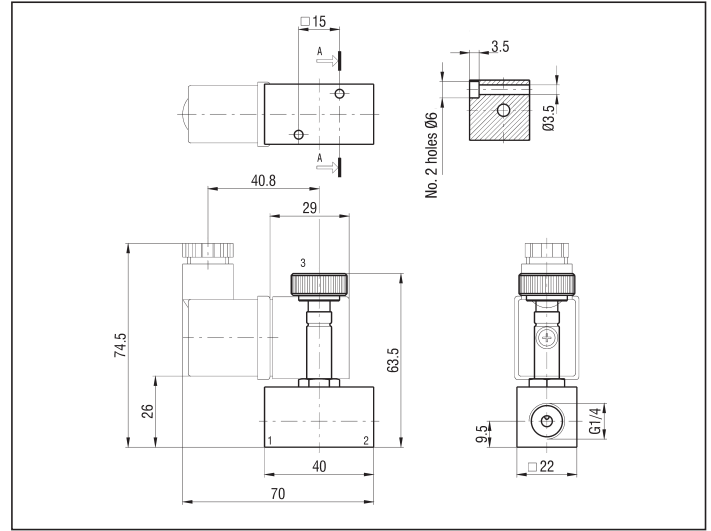
* THE TYPES OF THE SOLENOID VALVES DO NOT INCLUDE COILS

2

3 PORT G 1/8



3 PORT G 1/4



MANIFOLD BASE OF SOLENOID VALVES SIDE PORTED G 1/8 N.C. - C8/USCP AND N.O. - C8/USAP

N° of stations	4	6	8
LA	115	165	215
LB	105	155	205
Weight (g)	172	258	344
TYPE N.C.	C8/USCP/4	C8/USCP/6	C8/USCP/8
TYPE N.O.	C8/USAP/4	C8/USAP/6	C8/USAP/8

P.S.: MANIFOLD BASES OF SOLENOID VALVES WITH "MIXED" OPERATION (N.O./N.C.) ARE SUPPLIED UPON REQUEST

Direct acting solenoid valves with sleeve Ø 9 mm - bases

series C/

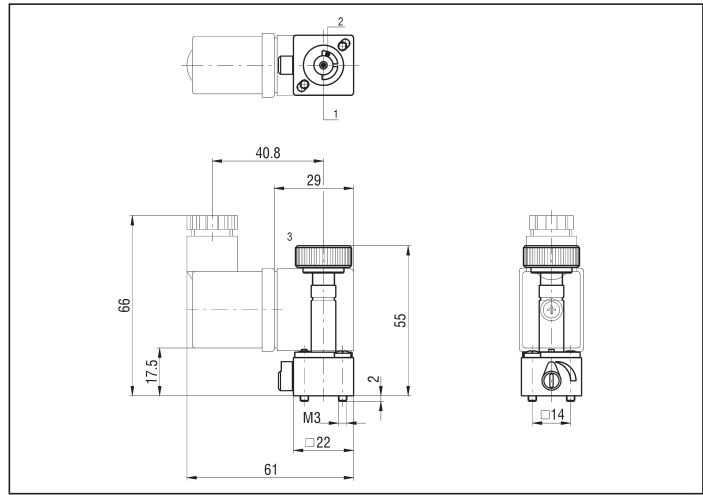
2

3 PORT WITH INTERFACE FOR MODULAR BASES AND SPOOL VALVES SIDE 22 mm

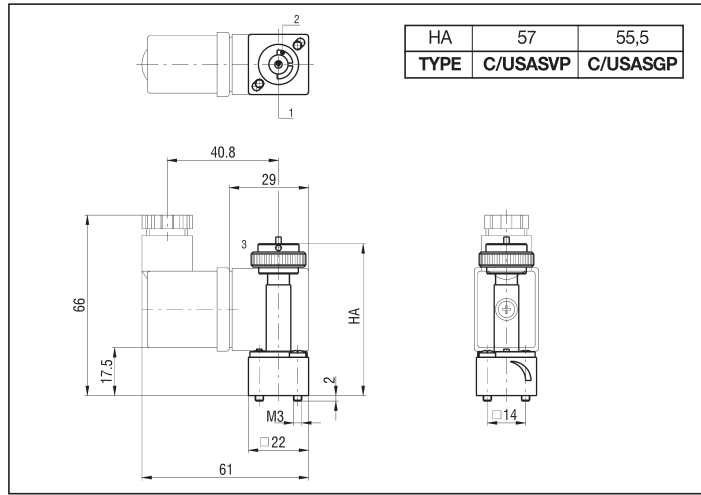
Symbol	Function	Controls		Response time at 6 bar (ms)		Flow rate at 6 bar $\Delta P = 1$ bar (Nl/min)	Manual override	Weight (g)	TYPE*
		Pilot	Return	Energized	De-energized				
	3/2 N.O.	Solenoid	Mechanical spring	10	25	36	Manual monostable	45	C/USASVP
	3/2 N.O.	Solenoid	Mechanical spring	10	25	36	-	30	C/USASGP
	3/2 N.C.	Solenoid	Mechanical spring	10	25	36	Manual monostable	30	C/USCSVP
	3/2 N.C.	Solenoid	Mechanical spring	10	25	36	-	30	C/USCSGP

* THE TYPES OF THE SOLENOID VALVES DO NOT INCLUDE COILS

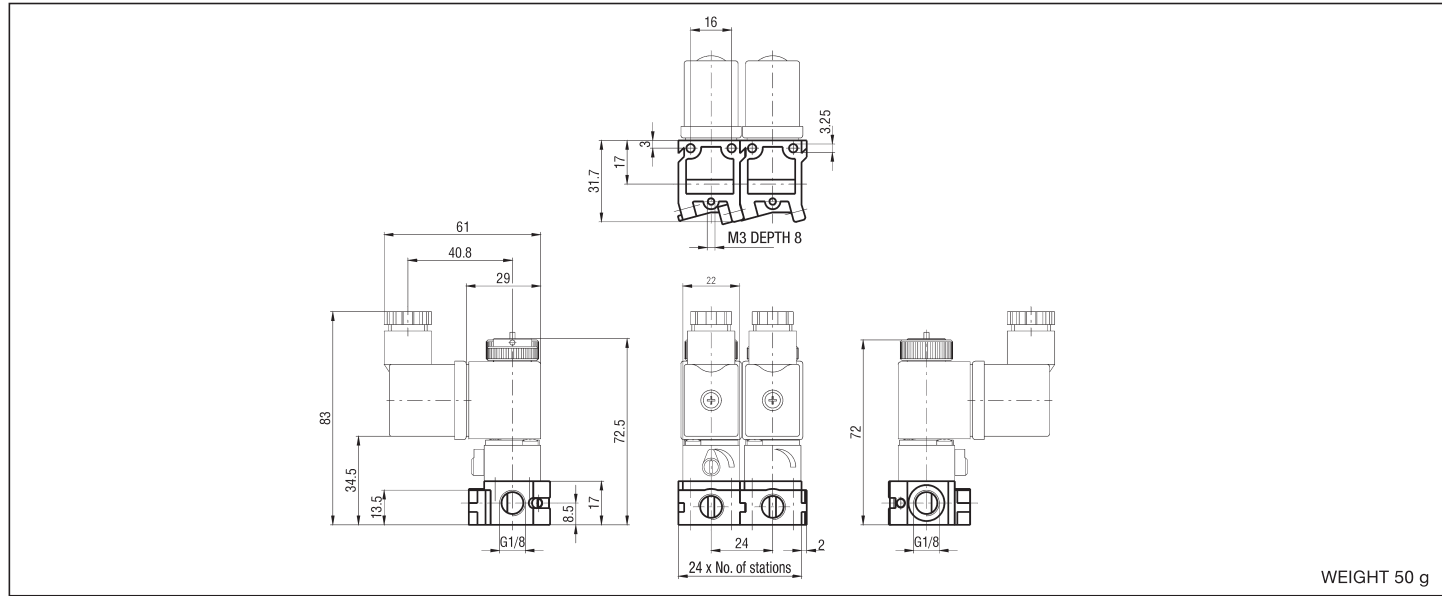
C/USCSVP



C/USASVP - C/USASGP



MODULAR BASE SIDE PORTED G 1/8 - ELPP8S



HOW TO ORDER A SOLENOID VALVE COMPLETE OF COIL AND BASE

DESCRIPTION	TYPE
3/2 N.O. + base + coil (with manual override)	ELPP8S/PAV/USB/voltage
3/2 N.O. + base + coil (without manual override)	ELPP8S/PAG/USB/voltage
3/2 N.C. + base + coil (with manual override)	ELPP8S/P/USB/voltage

Example: 3/2 N.C. solenoid valve base mounted (with manual override) + coil 24 V D.C. ELPP8S/P/USB/02400

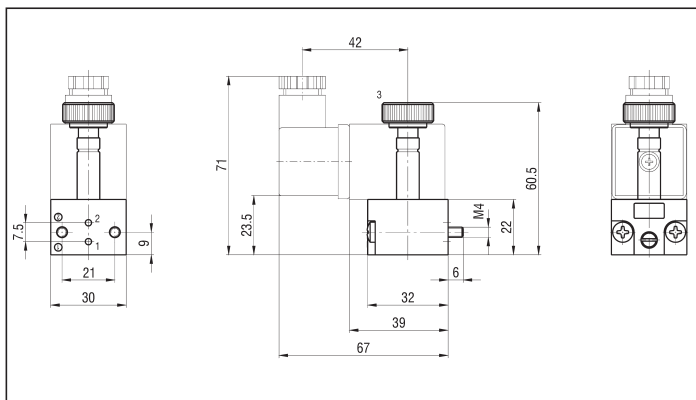


3 PORT WITH ex CNOMO INTERFACE FOR MODULAR BASES AND VALVES TO ISO 5599/1

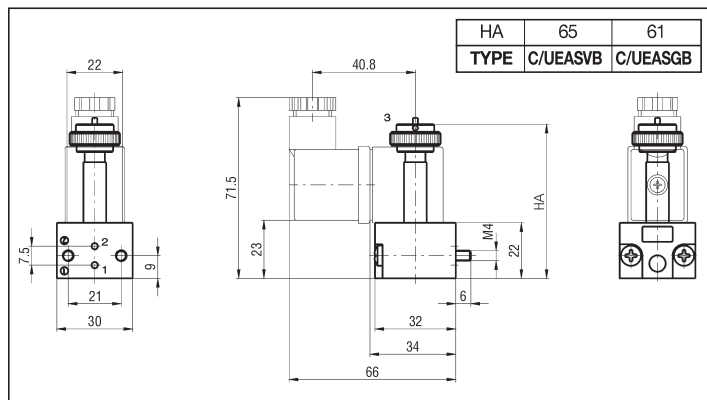
Symbol	Function	Controls		Response time at 6 bar (ms)		Flow rate at 6 bar $\Delta P = 1 \text{ bar (Nl/min)}$	Manual override	Weight (g)	TYPE*
		Pilot	Return	Energized	De-energized				
	3/2 N.O.	Solenoid	Mechanical spring	13	23	36	Manual monostable	60	C/UEASVB
	3/2 N.O.	Solenoid	Mechanical spring	13	23	36	-	45	C/UEASGB
	3/2 N.C.	Solenoid	Mechanical spring	10	25	36	Bistable screw driver slot	45	C/UECSVB
	3/2 N.C.	Solenoid	Mechanical spring	10	25	36	Monostable push button	45	C/UECSPB

* THE TYPES OF THE SOLENOID VALVES DO NOT INCLUDE COILS

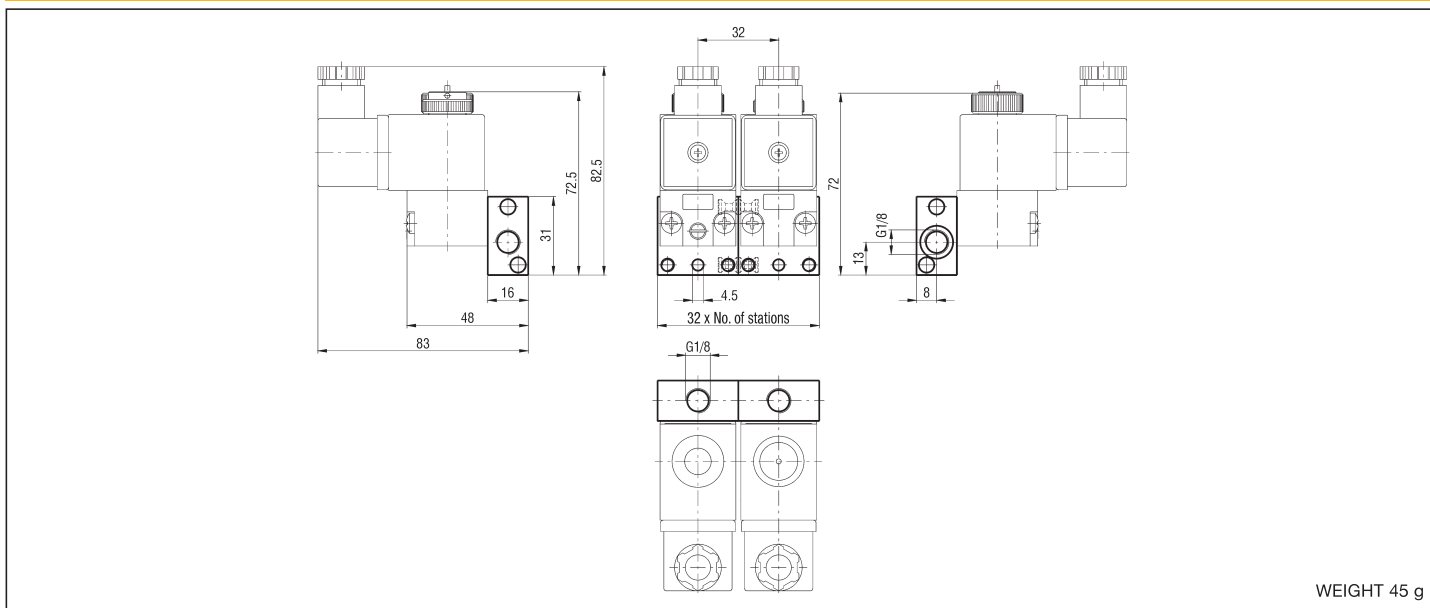
C/UECSVB - C/UECSPB



C/UEASVB - C/UEASGB



ex CNOMO MODULAR BASE SIDE PORTED G 1/8 - ELPG8S



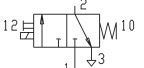
WEIGHT 45 g

HOW TO ORDER A SOLENOID VALVE COMPLETE OF COIL AND BASE

DESCRIPTION	TYPE
3/2 N.O. + base + coil (with manual override)	ELPG8S/BAV/USBG/voltage
3/2 N.O. + base + coil (without manual override)	ELPG8S/BAG/USBG/voltage
3/2 N.C. + base + coil (with manual override)	ELPG8S/B/USBG/voltage
3/2 N.C. + base + coil (with push button manual override)	ELPG8S/BP/USBG/voltage

Example: 3/2 N.O. solenoid valve base mounted (with manual override) + coil 24 V D.C. ELPG8S/BAV/USBG/02400

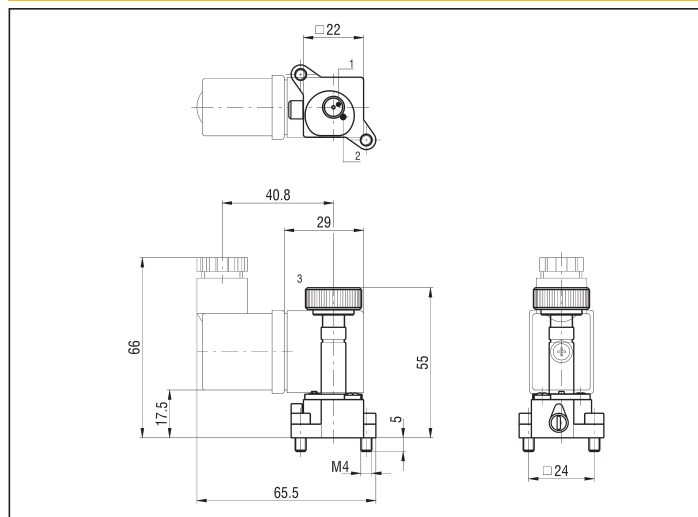
3 PORT WITH INTERFACE FOR POPPET AND ex CETOP (WITH FIXED POSITION AND ROTATABLE COIL) VALVES

Symbol	Function	Controls		Response time at 6 bar (ms)		Flow rate at 6 bar $\Delta P = 1$ bar (NI/min)	Manual override	Weight (g)	TYPE*
		Pilot	Return	Energized	De-energized				
	3/2 N.C.	Solenoid	Mechanical spring	10	25	36	Manual bistable	30	C/USCSVG

* THE TYPES OF THE SOLENOID VALVES DO NOT INCLUDE COILS

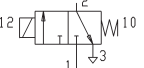
2

C/USCSVG



3 PORT BODY PORTED G 1/8 FOR DIRECT MOUNTING

This solenoid valve has been specifically designed to pilot single acting small cylinders and pneumatic valves. The input connection is M5 while the output has a male thread G1/8 that allows the direct assembling of the solenoid valve on the component.

Symbol	Function	Controls		Response time at 6 bar (ms)		Flow rate at 6 bar $\Delta P = 1$ bar (NI/min)	Manual override	Weight (g)	TYPE*
		Pilot	Return	Energized	De-energized				
	3/2 N.C.	Solenoid	Mechanical spring	10	20	36	-	46	C/ELP8M

* THE TYPES OF THE SOLENOID VALVES DO NOT INCLUDE COILS

C/ELP8M

