

DESCRIPTION

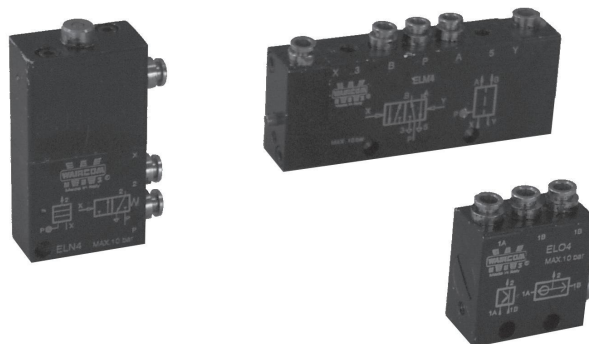
Pneumatic logic elements series "EL" are produced in the following No.5 basic functions: OR, AND, YES, NOT and MEMORY, with push-in fittings for pipe Ø 4 mm, and the pressure indicator is on body valve as standard. These elements can be mounted both separately (line mounted thanks to the No.2 holes on body valve) than on manifold bracket. The pneumatic logic element NOT is a threshold component and the pressure triggering value is 0,6 bar (at 6 bar).

TECHNICAL DATA

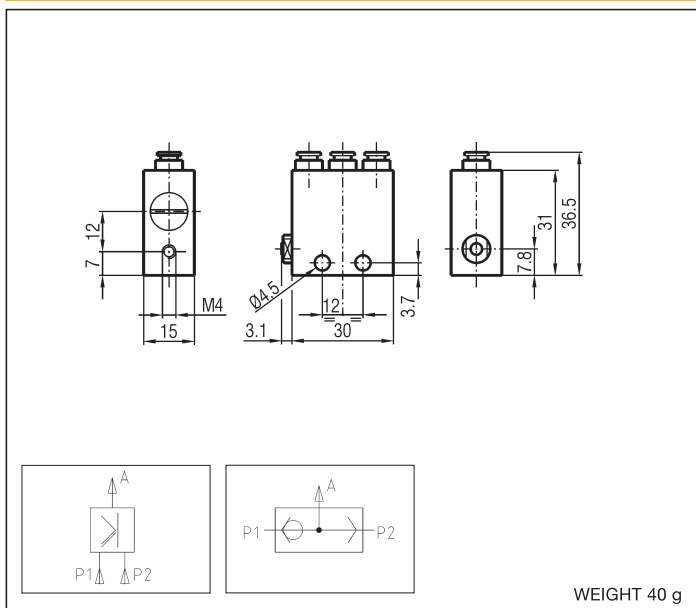
Operating pressure	1,5 ÷ 10 bar (OR, AND, YES, NOT0, MEMORY)
Working temperature	0 ÷ +60 °C (-20 °C with dry air)
Fluid	Filtered, unlubricated or continuous lubricated compressed air
Port size	Push-in fittings for pipe Ø 4 mm
Rated flow rate	90 NI/min

MATERIALS

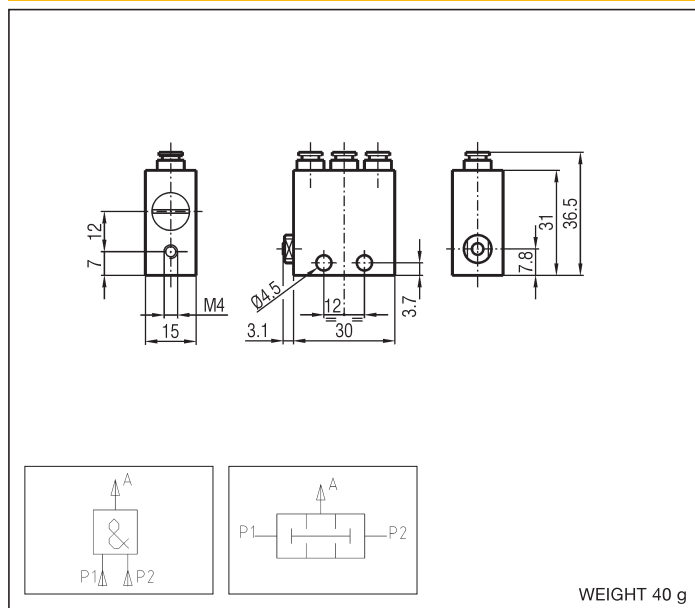
Body	Anodized aluminium alloy
Bushing and guide	Nickel - plated brass
Springs	Stainless steel
Seals	NBR rubber
Spool	Anodized aluminium alloy
Connections	Nickel - plated brass, plastic material



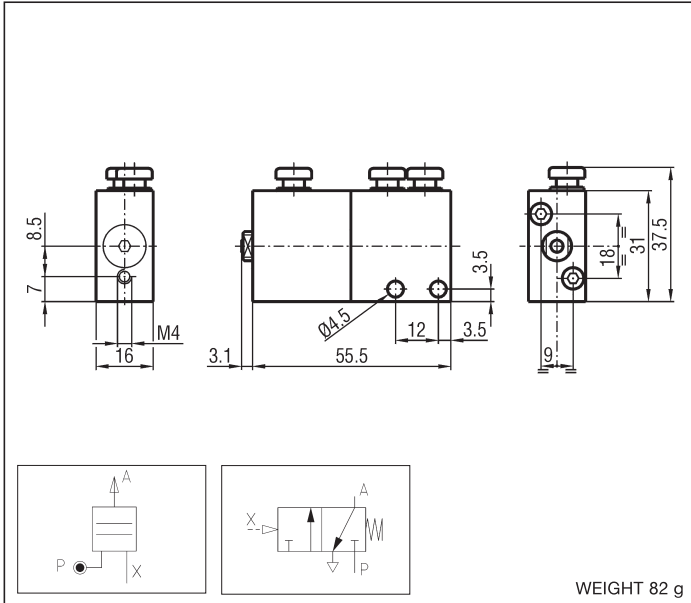
LOGIC ELEMENT - ELO4 (OR - logical sum)



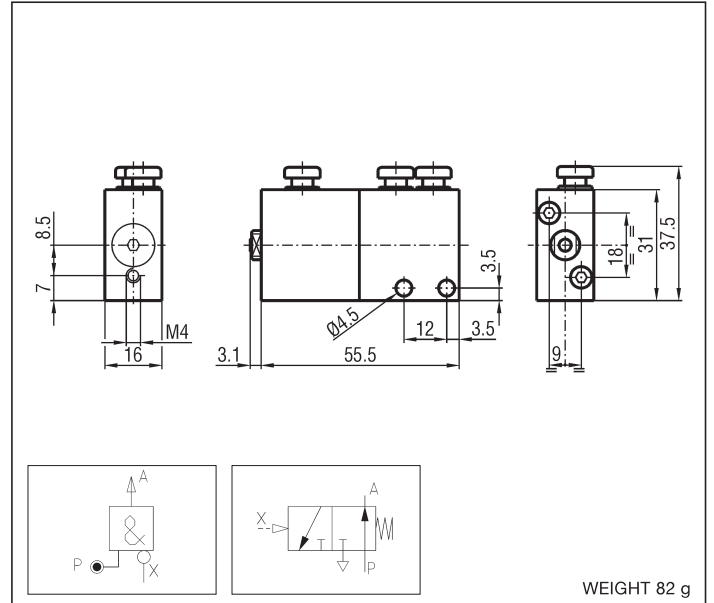
LOGIC ELEMENT - ELA4 (AND - logical multiplication)



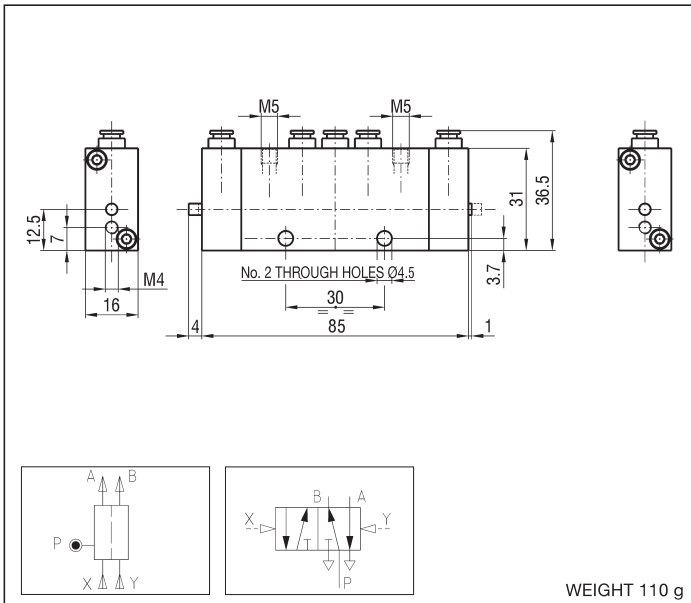
LOGIC ELEMENT - ELY4 (YES - affirmation)



LOGIC ELEMENT - ELN4 (NOT - negation)



LOGIC ELEMENT - ELM4 (memory)



BRACKET - ELSQ

