

Minivalves manually and mechanically actuated

series M

DESCRIPTION

Minivalves series "M" are produced in the 2/2 and 3/2 pneumatic functions in both side and bottom ported versions, with push-in fittings on body valve for pipe Ø 4 mm or M5 threaded connections; the version G 1/8 bottom ported is also available. Thanks to the suitable adapter types MCS-SA and MCS-SAD these minivalves support the "BRETER" Ø 22 mm actuators for panel mounting. The same actuators can control 1 or 2 minivalves, thus it's possible to obtain the 3/2, 5/2, 5/3 open centre and the 5/3 pressure centre pneumatic functions.



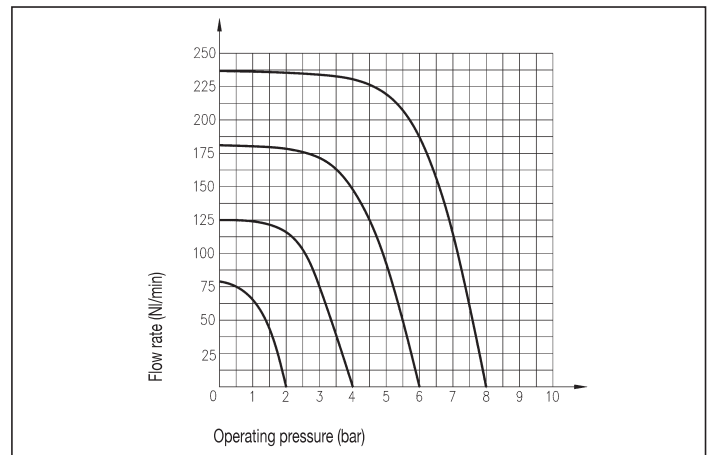
TECHNICAL DATA

Operating pressure	2 ÷ 10 bar
Working temperature	0 ÷ +60 °C (-20 °C with dry air)
Fluid	Filtered, unlubricated or continuous lubricated compressed air
Port size	Push-in fittings for pipe Ø 4 mm - M5 - G 1/8
Nominal diameter	2,5 mm
Controls	
Mechanical	Plunger; roller lever; unidirectional roller lever
Manual	Tapper; actuators for panel mounting

MATERIALS

Body	Anodized aluminium alloy
Bushing and guide	Nickel - plated brass
Springs	Stainless steel
Seals	NBR rubber
Connections	Nickel - plated brass, plastic material
Controls	
Tapper; Swivel	Glass stiffened polyamide
Plunger; Roller	Nickel - plated brass
Lever	Steel

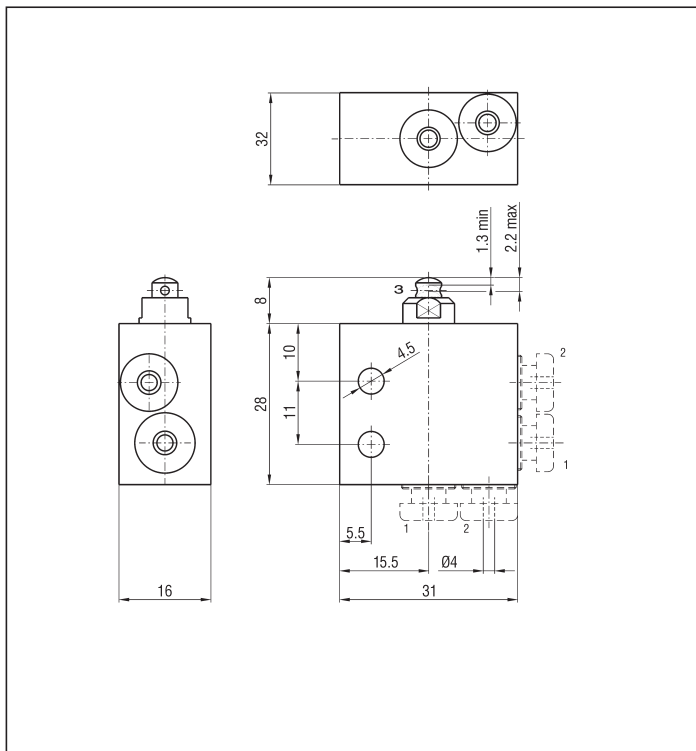
FLOW CHART - M



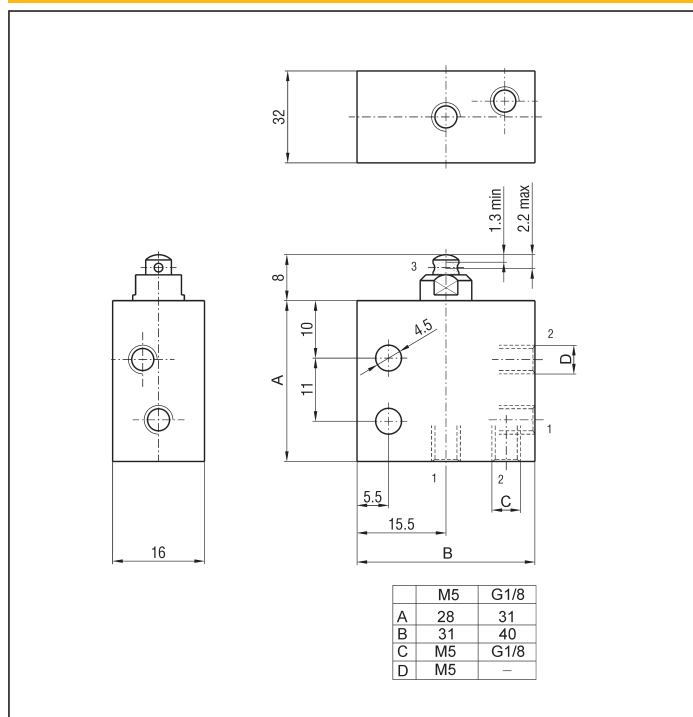
2 AND 3 PORT N.C. - N.O.

Symbol	Function	Controls		Actuation force at 6 bar (N)	Flow rate at 6 bar ΔP = 1 bar (NI/min)	Weight (g)	Port size	TYPE
		Pilot	Return					
	2/2 N.O. monostable	Plunger	Mechanical spring	13	83	40	Ø4 bottom ported Ø4 side ported M5 bottom threaded M5 side threaded G 1/8 bottom ported	MHAS4 MHAS4/L MHAS5 MHAS5/L MHAS1/8
	2/2 N.C. monostable	Plunger	Mechanical spring	13	83	40	Ø4 bottom ported Ø4 side ported M5 bottom threaded M5 side threaded G 1/8 bottom ported	MHCS4 MHCS4/L MHCS5 MHCS5/L MHCS1/8
	3/2 N.O. monostable	Plunger	Mechanical spring	13	83	40	Ø4 bottom ported Ø4 side ported M5 bottom threaded M5 side threaded G 1/8 bottom ported	MAS4 MAS4/L MAS5 MAS5/L MAS1/8
	3/2 N.C. monostable	Plunger	Mechanical spring	13	83	40	Ø4 bottom ported Ø4 side ported M5 bottom threaded M5 side threaded G 1/8 bottom ported	MCS4 MCS4/L MCS5 MCS5/L MCS1/8
	2/2 N.O. monostable	Plunger for panel mounting	Mechanical spring	13	83	60	Ø4 bottom ported Ø4 side ported M5 bottom threaded M5 side threaded G 1/8 bottom ported	MHAP4 MHAP4/L MHAP5 MHAP5/L MHAP1/8
	2/2 N.C. monostable	Plunger for panel mounting	Mechanical spring	13	83	60	Ø4 bottom ported Ø4 side ported M5 bottom threaded M5 side threaded G 1/8 bottom ported	MHCP4 MHCP4/L MHCP5 MHCP5/L MHCP1/8
	3/2 N.O. monostable	Plunger for panel mounting	Mechanical spring	13	83	60	Ø4 bottom ported Ø4 side ported M5 bottom threaded M5 side threaded G 1/8 bottom ported	MAP4 MAP4/L MAP5 MAP5/L MAP1/8

PLUNGER - Ø 4 mm SIDE AND BOTTOM PORTED



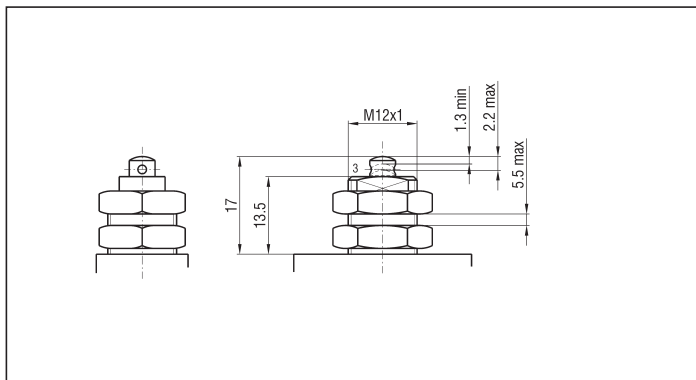
PLUNGER - M5 THREADED CONNECTIONS SIDE AND BOTTOM PORTED - G 1/8 BOTTOM PORTED



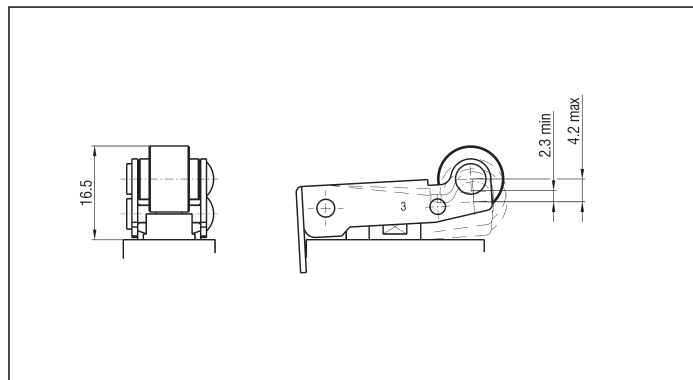
3

CONTROLS

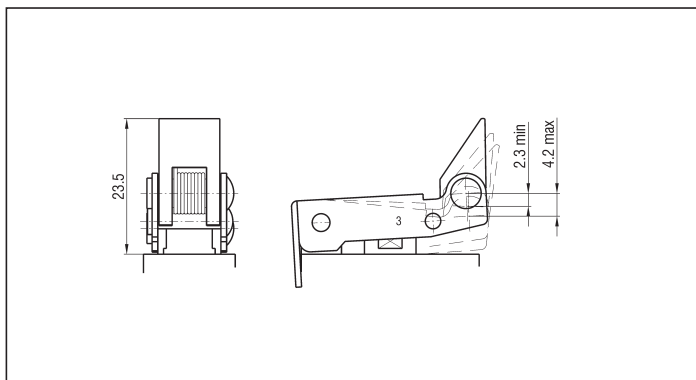
PLUNGER FOR PANEL MOUNTING



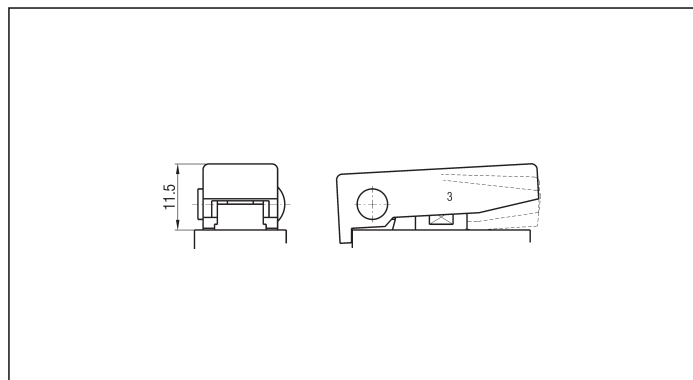
ROLLER LEVER



UNIDIRECTIONAL ROLLER LEVER



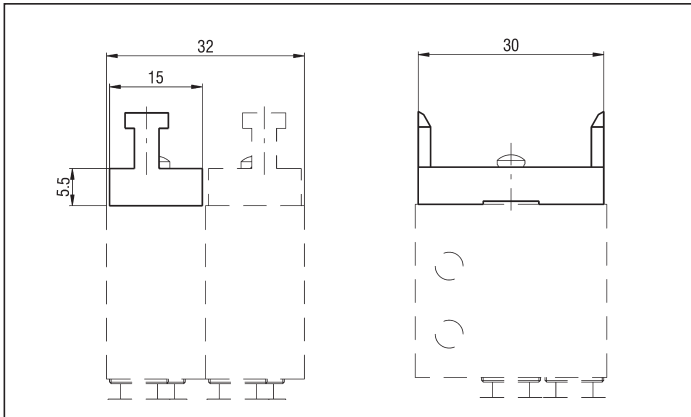
TAPPER



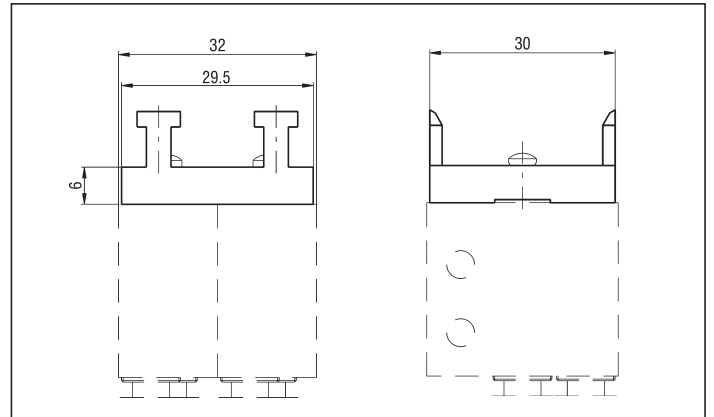
ACTUATORS FOR PANEL MOUNTING

Symbol	Description	Function	TYPE	Symbol	Description	Function	TYPE
	Protected monostable push-button BLACK RED GREEN	0 ← 1	MCS - PMN MCS - PMR MCS - PMV		Black bistable short-lever switch	0 1	MCS - LCB
	Red monostable mushroom	0 ← 1	MCS - FMR		Black monostable short-lever switch, 3 position with return to the centre	1 → 0 ← 2	MCS - LCSM
	Red bistable mushroom (rotate to unlock)	0 1	MCS - FBR		Black short-lever switch, 3 stable positions	1 0 2	MCS - LCSB
	Black monostable short-lever switch	0 ← 1	MCS - LCM		Bistable key (extractable in both the 2 positions)	0 1	MCS - CB2

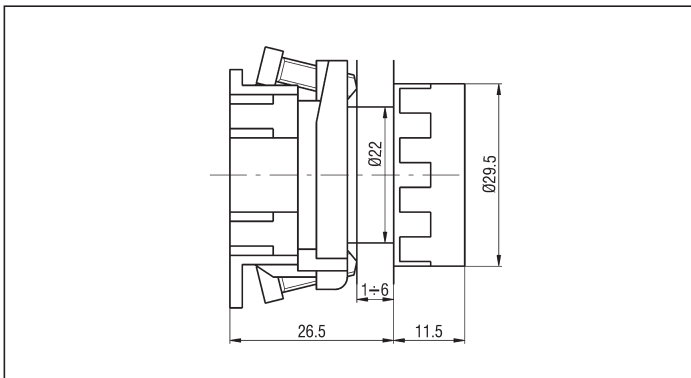
ADAPTER TYPE MCS-SA FOR ACTUATORS



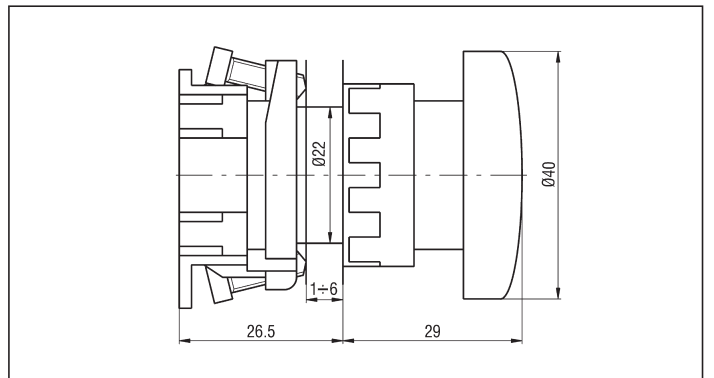
DOUBLE ADAPTER TYPE MCS-SAD FOR ACTUATORS



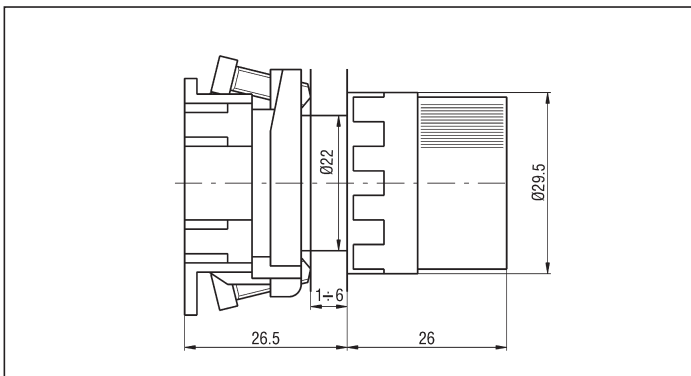
PUSH-BUTTON



MUSHROOM



SHORT-LEVER SWITCH



BISTABLE KEY

