

DESCRIPTION

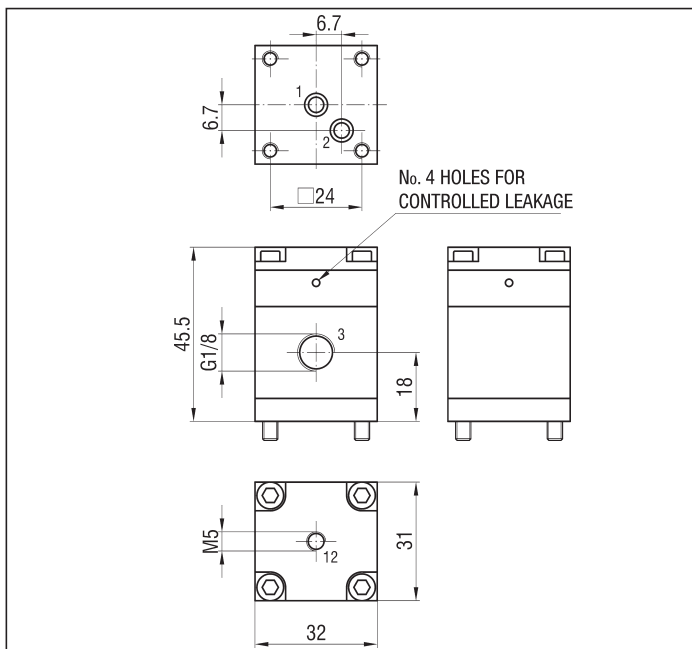
The type "XVF4" identifies a 3/2 N.C. amplifier valve that changes low pressure signals into pneumatic signals (1 ÷ 8 bar).
Valve type "XVF5" is instead a 3/2 N.O. amplifier valve that changes negative pneumatic signals into pneumatic signals (1 ÷ 7 bar).
Both of them are suitable to pilot directly the valves series "UDS" and "UK" with the same mounting than solenoid valves series "UL".
For single mounting there is the sub-base type "XVB" (see on page 2.8) while for manifold mounting there are the bases type "ULP" (see on page 2.7).



TECHNICAL DATA

Operating pressure	XVF4: 1 ÷ 8 bar XVF5: 1 ÷ 7 bar
Working temperature	0 ÷ +60 °C (-10 °C with dry air)
Fluid	Filtered, unlubricated or continuous lubricated compressed air
Piloting pressure	XVF4: 500 mbar XVF5: -500 mbar
Maximum frequency	50 Hz
Flow rate	500 NI/min at 6 bar
Controlled leakage consumption	1,4 NI/min at 7 bar
Piloting hole	M5

DIMENSIONS XVF



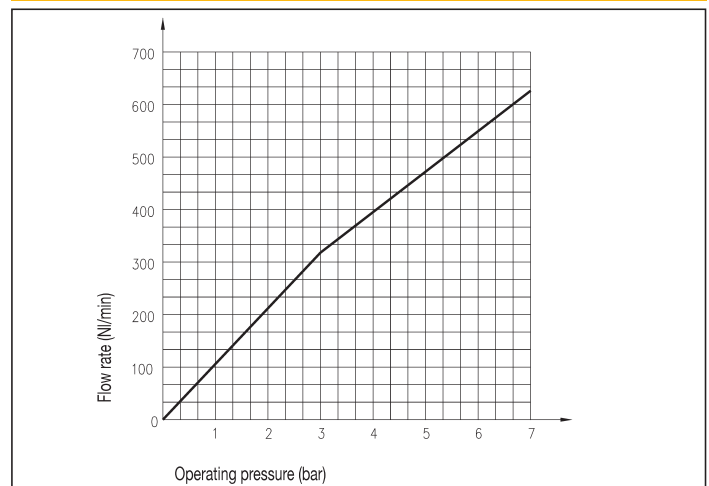
MATERIALS

Control rod	Aluminium
Body	Anodized aluminium alloy
Springs	Phosphor bronze
Seals	NBR rubber
Washer	Aluminium
Fixing screws	White galvanized steel

SPARE PARTS

SEALS KIT	
XVF	XVF/SG/4-5

FLOW CHART XVF



3 PORT

Symbol	Function	Controls		Response times at 6 bar (ms)		Flow rate at 6 bar $\Delta P=1$ bar (NI/min)	Weight (g)	TYPE
		Actuation	Return	Actuation	Return			
	3/2 N.C.	Pneumatic	Mechanical spring	26,64	38,42	500	10,5	XVF4
	3/2 N.O.	Vacuum	Mechanical spring	21,14	32,66	500	10,5	XVF5