

DESCRIPTION

Lubricators series "EZL" are produced with connections G 3/8, G 1/2 and G 1; the techno-polymer bowls have a metallic protection as standard for the sizes G 1/2 and G 1, and made of glass stiffened polyamide on request for the size G 3/8.

For a correct lubrication it is advisable to set the drip rate in order to have a drop (WAIRSOL class ISO22) every 300 - 500 NI/min. (oil mist lubrication).

TECHNICAL DATA

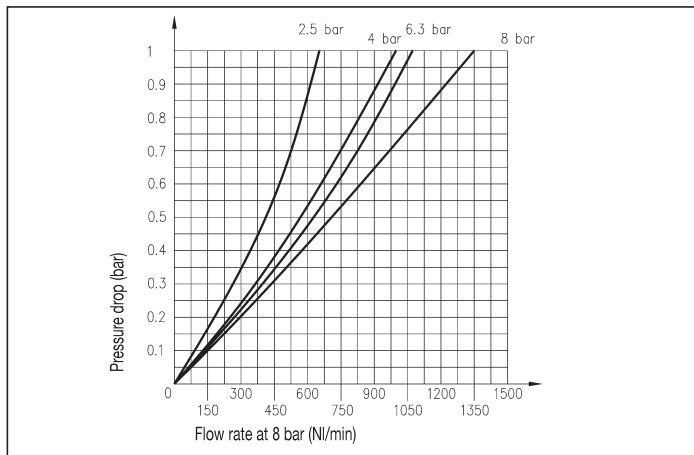
Maximum pressure	16 bar
Working temperature	0 ÷ +50 °C (-10 °C with dry air)
Fluid	Filtered compressed air
Port size	G 3/8 - G 1/2 - G 1
Bowl capacity	G 3/8 = 32 cm ³ G 1/2 = 76 cm ³ G 1 = 160 cm ³ (do not exceed the level gauge)
Type of mounting	Modular, in-line and wall-mounting
Wall clamping screws	G 3/8: M4x60 G 1/2: M5x70 G 1: M6x90
Minimum striking flow rate	G 3/8 = 25 NI/min G 1/2 = 25 NI/min G 1 = 50 NI/min



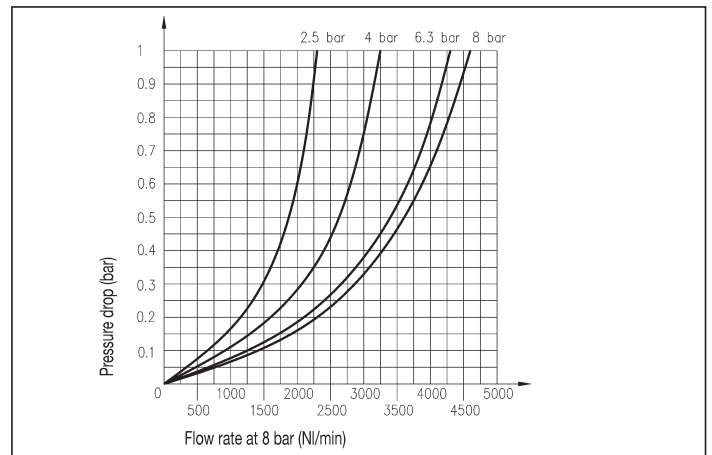
MATERIALS

Body	Aluminium alloy
Bowl	G 3/8: Transparent techno-polymer (protection made of glass stiffened polyamide on request) G 1/2 - G 1: Transparent techno-polymer with metallic protection as standard
Seals	NBR rubber
Conduits	Acetal resin

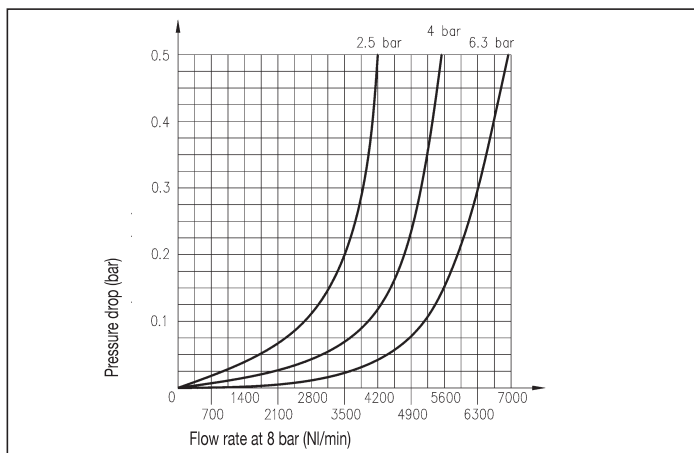
FLOW CHART - EZL G 3/8



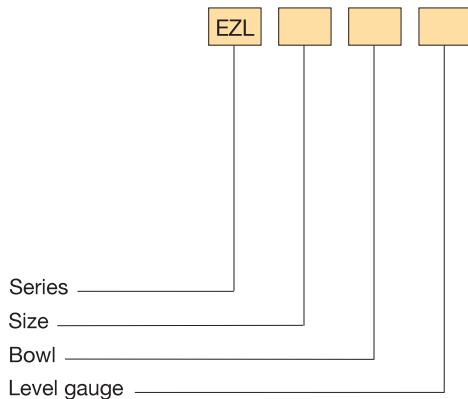
FLOW CHART - EZL G 1/2



FLOW CHART - EZL G 1



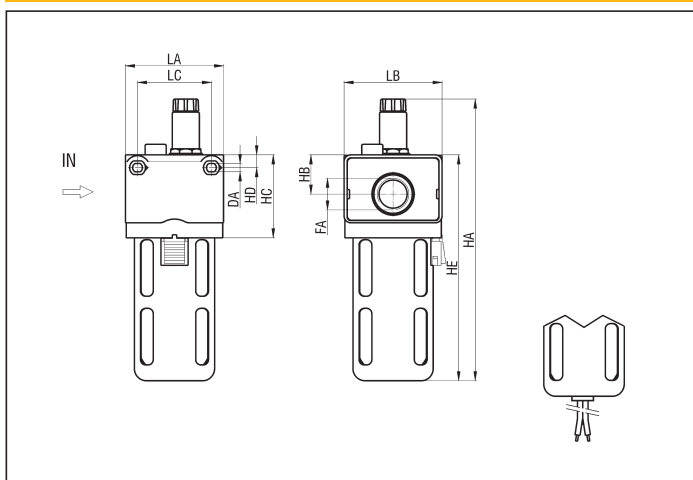
ORDER KEY



SIZE			
3	G 3/8	2	G 1/2
1	G 1		
BOWL			
Transparent		PM	Protection*
LEVEL GAUGE			
/CA Open electric contact when oil is present with 2 wires cable 0,5 m length			
/CC Closed electric contact when oil is present with 2 wires cable 0,5 m length			

* Metallic as standard for sizes 2 and 1, made of glass stiffened polyamide on request for size 3
 P.S.: Level gauge, in both the open and closed electric contact, is fed with a voltage range from 6 V to 50 V

DIMENSIONS AND WEIGHTS EZL



SIZE	DA	FA	HA	HB	HC	HD	HE	LA	LB	LC	WEIGHT (g)
3	4,5	G 3/8	157,5	21	52	6	121	55	50	40	370
2	5,5	G 1/2	186,7	26	55	8,5	149,7	65	65	49	400
1	6,6	G 1	243,5	31	76	9	201	85	82	60	1780

SPARE PARTS

Lubricator bowl size 3	EZT/L3
Lubricator bowl size 2*	EZT/L2/PM
Lubricator bowl size 1	EZT/L1
Lubricator bowl for level gauge size 3	EZT/L3/SLC
Lubricator bowl for level gauge size 2*	EZT/L2/PM/SLC
Lubricator bowl for level gauge size 1	EZT/L1/SLC
Protection made of glass stiffened nylon size 3	EZ3/PM
Metallic protection size 1	EZ1/PM
Lubricator clear cover size 3	EZL3/C
Lubricator clear cover size 2	EZL2/C
Lubricator clear cover size 1	EZL1/C
Level gauge with open electric contact size 3	EZT/L3/SLA
Level gauge with open electric contact size 2*	EZT/L2/PM/SLA
Level gauge with open electric contact size 1	EZT/L1/SLA

* Bowls size 2 are supplied with the metallic protection as standard