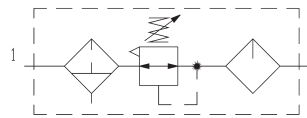
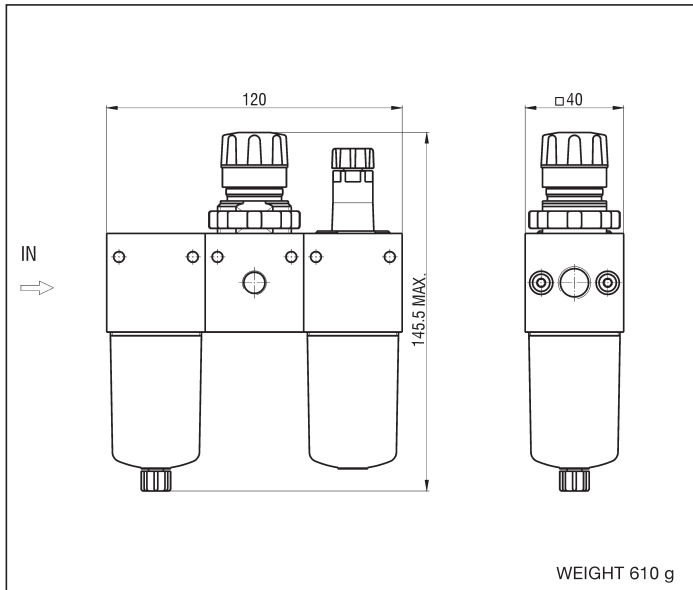


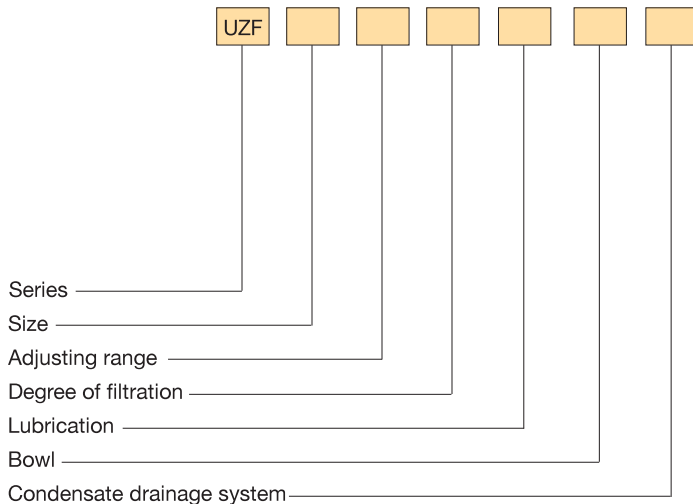
TECHNICAL DATA

Maximum pressure	16 bar
Working temperature	0 ÷ +50 °C (-10 °C with dry air)
Fluid	Compressed air
Port size	G 1/8 - G 1/4
Pressure gauge port size	G 1/8
Flow rate at 6 bar ΔP=1 bar	220 NI/min
Wall clamping screws	M4x50

DIMENSIONS AND WEIGHT F+R+L



ORDER KEY



SIZE			
8	G 1/8	4	G 1/4
DEGREE OF FILTRATION			
/5	5 µm	/20	20 µm
/40	40 µm		
ADJUSTING RANGE			
RR3	0,2 ÷ 2 bar	RR5	0,4 ÷ 4 bar
RR7	0,8 ÷ 9 bar	RR12	1,5 ÷ 12 bar
LUBRICATION			
L	Oil mist (standard)	LM	Micro-oil mist
BOWL			
	Trasparente	/PM	Metallic protection
/TM	Metallica		
CONDENSATE DRAINAGE SYSTEM			
	Manual	/SS	Semi-automatic

PS.: Filters + reducers + lubricators can be supplied without the relieving seal on request; the adjusting range becomes "R" (rather than "RR")