

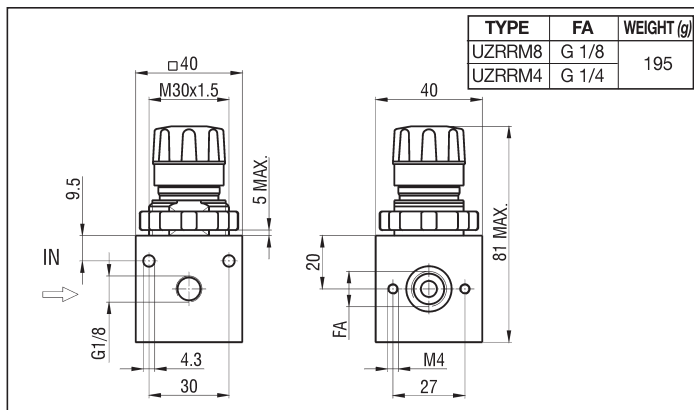
DESCRIPTION

Reducers series "UZRR" are produced in two different models: type UZRRH, fit for in-line or panel mounting and type UZRRM, fit for panel mounting or modular assembly (with filter and lubricator). Both the two models are available with different scales of regulation and with connections G 1/8 and G 1/4.

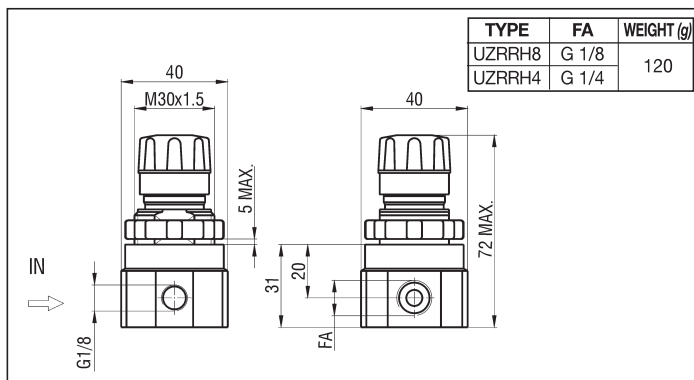
TECHNICAL DATA

Maximum pressure	16 bar
Working temperature	0 ÷ +50 °C (-10 °C with dry air)
Fluid	Filtered, lubricated and unlubricated compressed air
Port size	G 1/8 - G 1/4
Pressure gauge port size	G 1/8
Adjusting range (bar)	0,2 ÷ 2 - 0,4 ÷ 4 - 0,8 ÷ 9 - 1,5 ÷ 12
Type of mounting	Modular, in-line, wall and panel mounting
Wall clamping screws	M4x50

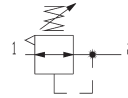
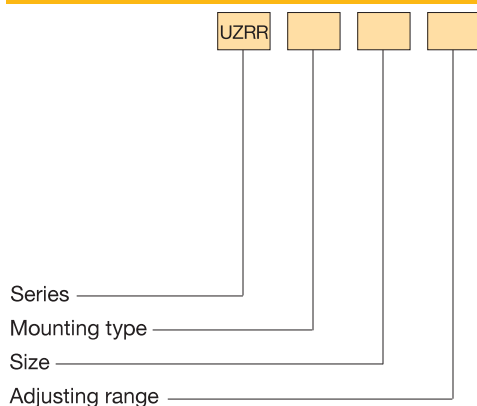
4 DIMENSIONS AND WEIGHT UZRRM



DIMENSIONS AND WEIGHT UZRRH



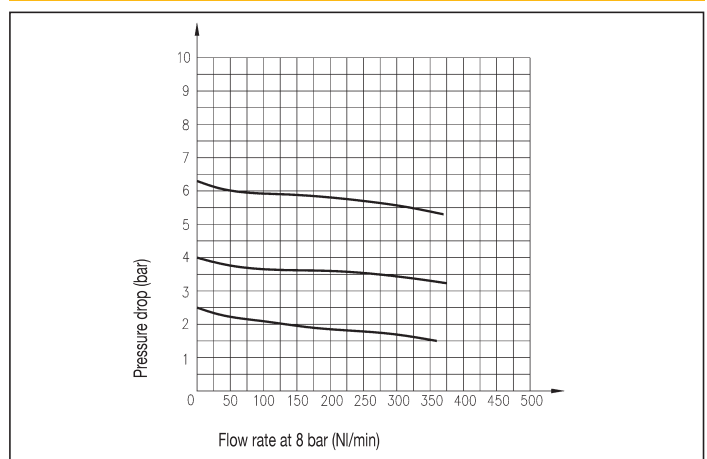
ORDER KEY



MATERIALS

Body	Aluminium alloy
Bowl	Transparent techno-polymer with metallic protection or entirely metallic bowl (without visualization of level) on request
Filtering element	Sintered porous bronze
Seals	NBR rubber
Baffle	Acetal resin

FLOW CHART - UZRR



MOUNTING TAPE

H For panel mounting **M** Modular

SIZE

8 G 1/8 **4** G 1/4

ADJUSTING RANGE

/3 0,2 ÷ 2 bar **/5** 0,4 ÷ 4 bar
/7 0,8 ÷ 9 bar **/12** 1,5 ÷ 12 bar

P.S.: Reducers can be supplied without the relieving seal on request; the series becomes **UZR**...

SPARE PARTS

Relieving kit adjustment	UZRR/SG/6
Non-relieving kit adjustment	UZRR/SG/5