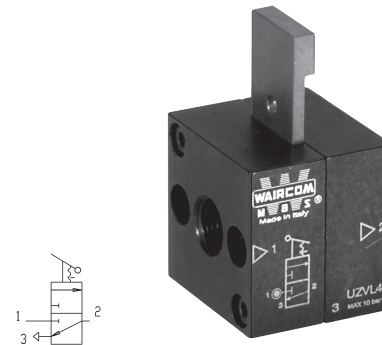


DESCRIPTION

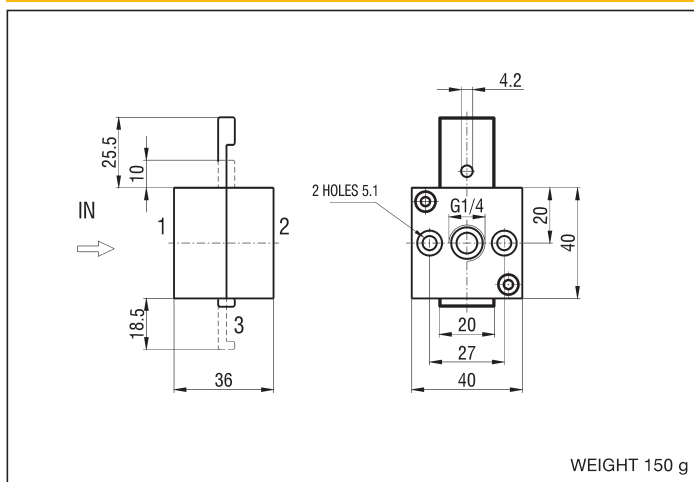
Shut - off valves series "UZVL" are produced with connection G 1/4 and they are fit to be locked in the exhaust position by means of a standard padlock.

TECHNICAL DATA

Maximum pressure	16 bar
Working temperature	0 ÷ +50 °C (-10 °C with dry air)
Fluid	Filtered, unlubricated or continuous lubricated compressed air
Port size	G 1/4
Flow rate at 6 bar ΔP=1 bar	1300 NI/min
Type of mounting	Modular and in-line



DIMENSIONS AND WEIGHT UZVL/4



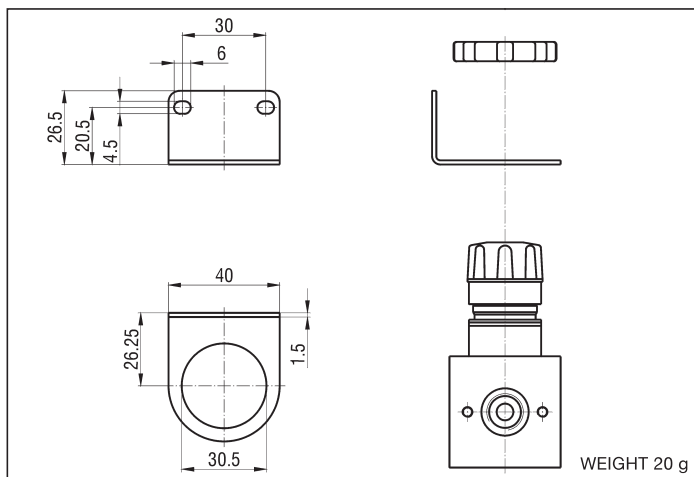
MATERIALS

Body	Anodized aluminium alloy
Seals	NBR rubber
Slider	Anodized aluminium alloy

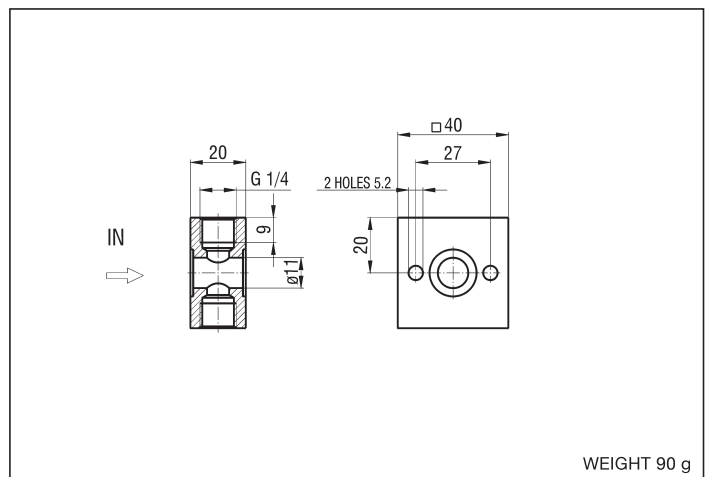
4

ACCESSORIES

MOUNTING BRACKET UZRHS



INTERMEDIATE AIR INTAKE UZPR4 (screws included)



ASSEMBLY SCREWS

Assembly screws F+R+L	UZ/SVG
Assembly screws FR+L	UZ/SVG/1
Assembly screws F+L	UZ/SVG/2
Assembly screws FR+L+AP - R+L+AP	UZAP/SVG
Assembly screws FR+AP - R+AP	UZAP/SVG/1
Assembly screws VL+F+R	UZVL/SVG
Assembly screws VL+FR - VL+R	UZVL/SVG/1

WALL CLAMPING SCREWS

Clamping screws F-FR-R-L-AP	UZ/SVG/P
-----------------------------	----------